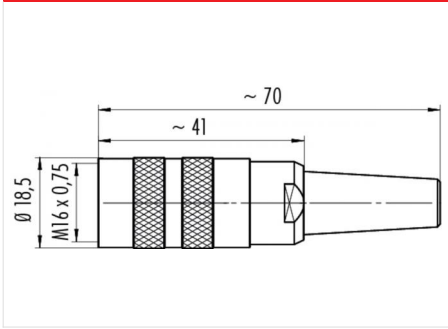


Product	M16 IP40 female cable connector, Contacts: 8 DIN, 4.0 - 6.0 mm, shieldable, crimp (Crimp contacts must be ordered separately), IP40
Area	M16 IP40 series 581
Article number	99 2062 700 08

Illustration



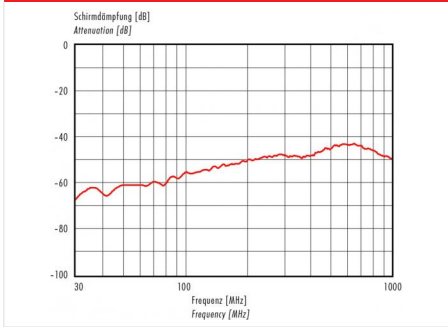
Ritning



Polbild

	X	Y
1	-3,50	0,00
2	0,00	3,50
3	3,50	0,00
4	-2,47	2,47
5	2,47	2,47
6	-2,47	-2,47
7	2,47	-2,47
8	0,00	-0,70

Derating curve



You can find the item description on the next page.

Technical data

General features

Kontaktdesign	female cable connector
Kontaktionslösning	screw
Anslutning	crimp (Crimp contacts must be ordered separately)
Tvärsnitt (mm)	see crimp contacts under accessories
Kabeluttag	4.0 - 6.0 mm
Övre gränstemperatur	100 °C
Lägre gränstemperatur	- 40 °C
Customs tariff number	85369010

Electrical parameters

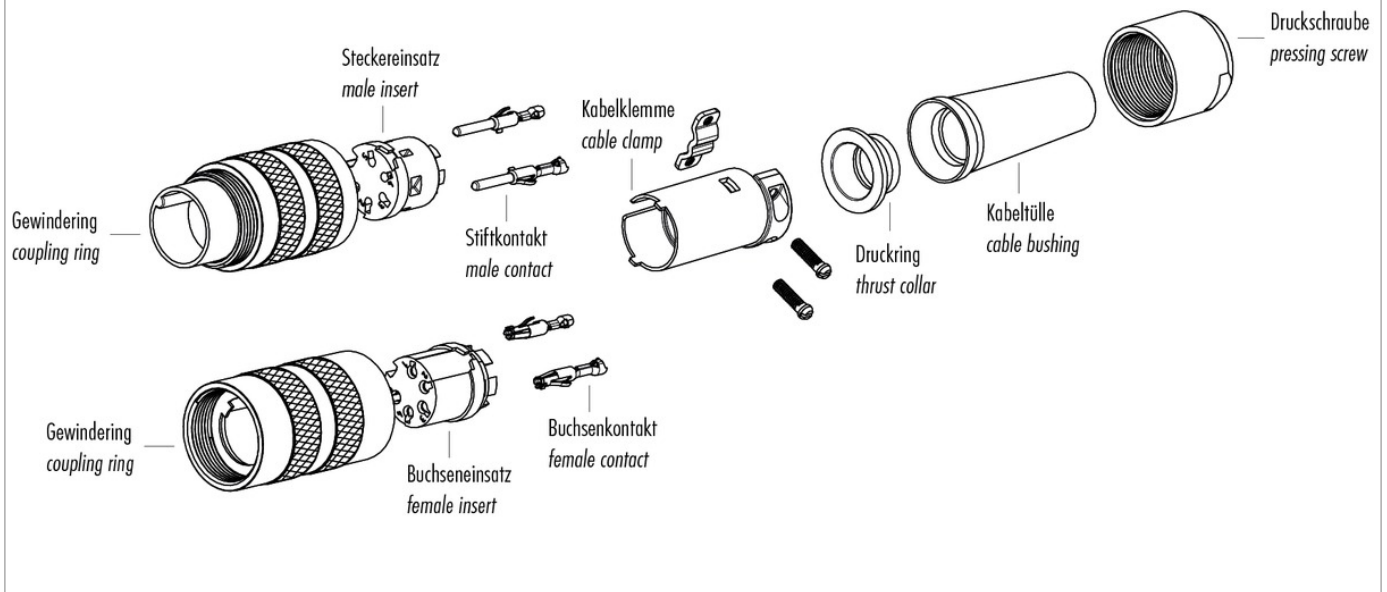
Märkström (40°C)	5 A
Märkspänning	60 V
Märkstötspänning	500 V
Föreoreningsgrad	1
Överspänningskategori	I
Isoleringsmaterialgrupp	III
Resistans	≤ 5 mΩ
Insulation resistance	≥ 10 ¹⁰ Ω
EMV-behörighet	shieldable
Kapslingsklass	IP40
Mekanisk livslängd	> 500 Mating cycles

Material

Kontaktmaterial	depending on crimp contact (accessory)
Kontaktkroppsmaterial	PBT (UL 94 V-0)

Product	M16 IP40 female cable connector, Contacts: 8 DIN, 4.0 - 6.0 mm, shieldable, crimp (Crimp contacts must be ordered separately), IP40
Area	M16 IP40 series 581
Article number	99 2062 700 08

Sprängskiss



Product	M16 IP40 female cable connector, Contacts: 8 DIN, 4.0 - 6.0 mm, shieldable, crimp (Crimp contacts must be ordered separately), IP40
Area	M16 IP40 series 581
Article number	99 2062 700 08

Security notices

The connectors are designed for use in plant, control system and electrical equipment. The end user is responsible for checking whether the connectors are suitable for use in other applications.

To lock the cable connector to the equipment connector, the threaded ring is tightened until it is 'finger-tight' (approx. 50 cNm).