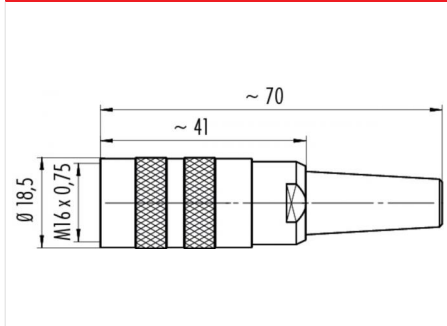


Product	M16 IP40 female cable connector, Contacts: 5, 4.0 - 6.0 mm, shieldable, crimp (Crimp contacts must be ordered separately), IP40
Area	M16 IP40 series 581
Article number	99 2014 700 05

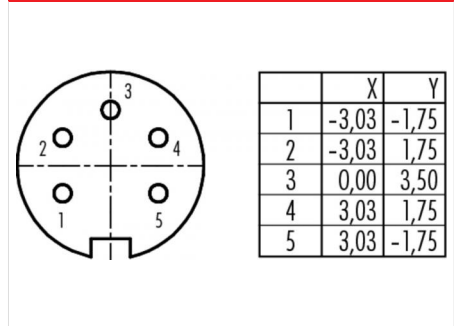
Illustration



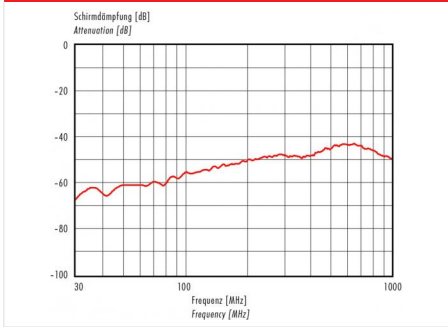
Ritning



Polbild



Derating curve



You can find the item description on the next page.

Technical data

General features

Kontaktdesign	female cable connector
Kontaktionslösning	screw
Anslutning	crimp (Crimp contacts must be ordered separately)
Tvärsnitt (mm)	see crimp contacts under accessories
Kabeluttag	4.0 - 6.0 mm
Övre gränstemperatur	100 °C
Lägre gränstemperatur	- 40 °C
Customs tariff number	85369010

Electrical parameters

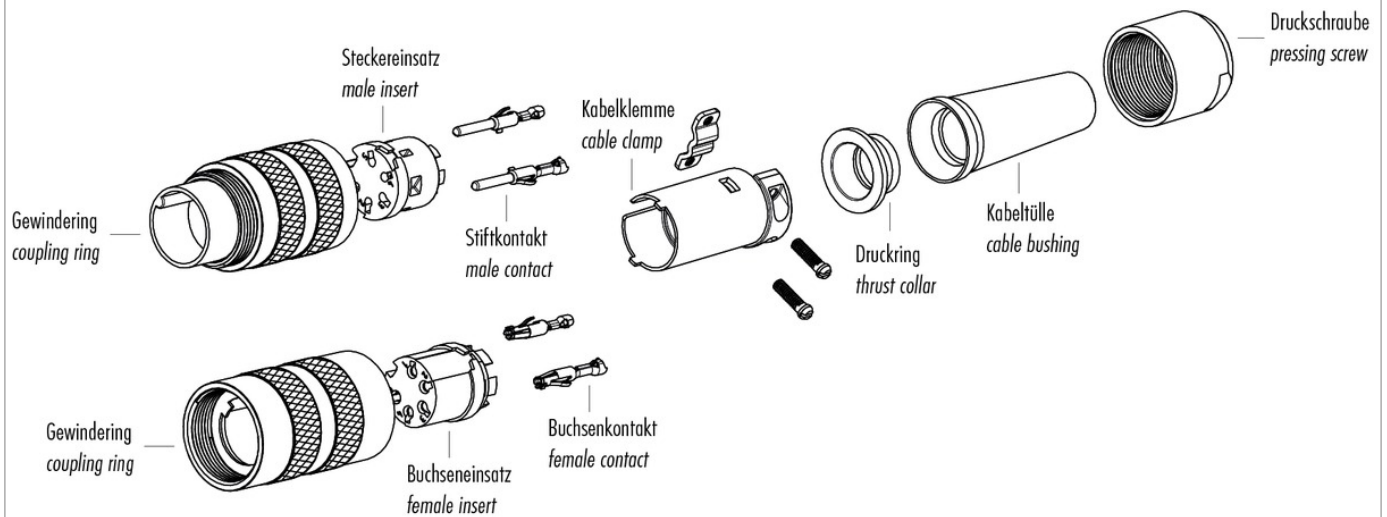
Märkström (40°C)	5 A
Märkspänning	250 V
Märkstötspänning	1500 V
Föroreningsgrad	1
Överspänningskategori	I
Isoleringsmaterialgrupp	III
Resistans	≤ 5 mΩ
Insulation resistance	≥ 10 ¹⁰ Ω
EMV-behörighet	shieldable
Kapslingsklass	IP40
Mekanisk livslängd	> 500 Mating cycles

Material

Kontaktmaterial	depending on crimp contact (accessory)
Kontaktkroppsmaterial	PBT (UL 94 V-0)

Product	M16 IP40 female cable connector, Contacts: 5, 4.0 - 6.0 mm, shieldable, crimp (Crimp contacts must be ordered separately), IP40
Area	M16 IP40 series 581
Article number	99 2014 700 05

Sprängskiss



Product	M16 IP40 female cable connector, Contacts: 5, 4.0 - 6.0 mm, shieldable, crimp (Crimp contacts must be ordered separately), IP40
Area	M16 IP40 series 581
Article number	99 2014 700 05

Security notices

The connector must not be connected or separated under load. Non-observance and incorrect use can result in personal injury.

The connectors are designed for use in plant, control system and electrical equipment. The end user is responsible for checking whether the connectors are suitable for use in other applications.

To prevent the connector being opened unintentionally when used in electrical circuits containing hazardous life parts, the thread between the housing and the connector head must be secured using a suitable cyanoacrylate adhesive. This does not apply to connectors used in SELV and PELV circuits according to IEC 61140 (EN 61140, VDE 0140-1).

Connectors used in electrical circuits containing hazardous life parts must only be assembled and used by or under the supervision of persons with the requisite electrotechnical training, taking the applicable regulations and standards into account.

The connector is not suitable for mains voltages. Please observe the pollution degrees and the overvoltage category. For further information refer to 'Technical support' in the Download Centre.

To lock the cable connector to the equipment connector, the threaded ring is tightened until it is 'finger-tight' (approx. 50 cNm).