

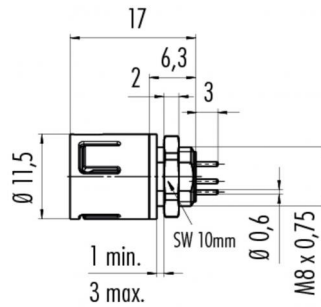
Product **Snap-In IP67 male panel mount connector, Contacts: 8, Shielding is not possible, dip-solder, IP67**

Area **Snap-In IP67 series 620**  
Article number **99 9227 090 08**

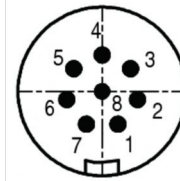
### Illustration



### Ritning



### Polbild



	X	Y
1	0,96	-1,98
2	2,15	-0,49
3	1,72	1,37
4	0,00	2,20
5	-1,72	1,37
6	-2,15	-0,49
7	-0,96	-1,98
8	0,00	0,00

You can find the assembly instruction on the next page.

## Technical data

### General features

Kontaktdesign	male panel mount connector
Kontaktionslösning	snap
Anslutning	dip-solder
Övre gränstemperatur	85 °C
Lägre gränstemperatur	- 25 °C
Customs tariff number	85369010

### Electrical parameters

Märkström (40°C)	1 A
Märkspänning	63 V
Märkstötspänning	800 V
Föroreningsgrad	2
Överspänningskategori	II
Isoleringsmaterialgrupp	II
Resistans	≤ 3 mΩ
Insulation resistance	≥ 10 <sup>10</sup> Ω
EMV-behörighet	Shielding is not possible
Kapslingsklass	IP67
Mekanisk livslängd	> 500 Mating cycles

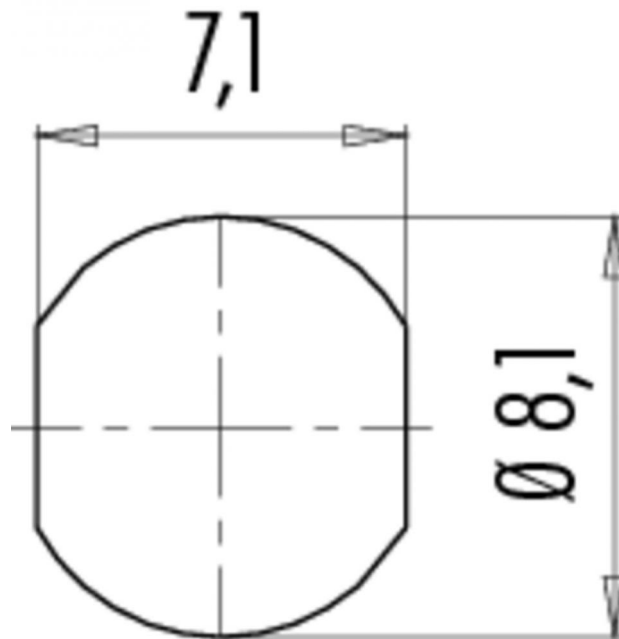
### Material

Kontaktmaterial	CuZn (brass)
Kontaktplätering	Au (gold)
Kontaktkroppsmaterial	PA (UL 94 V-0)
Kontakthusmaterial	PA

Product Snap-In IP67 male panel mount connector, Contacts: 8, Shielding is not possible, dip-solder, IP67

Area Snap-In IP67 series 620  
Article number 99 9227 090 08

Installationsinstruktioner / Monteringsutdrag



Product	<b>Snap-In IP67 male panel mount connector, Contacts: 8, Shielding is not possible, dip-solder, IP67</b>
Area	<b>Snap-In IP67 series 620</b>
Article number	<b>99 9227 090 08</b>

## Security notices

The connectors are designed for use in plant, control system and electrical equipment. The end user is responsible for checking whether the connectors are suitable for use in other applications. Connectors with degree of protection IP 67 and IP 68 are not suitable for use under water. When used outdoors, the connectors must be separately protected against corrosion. For further information about IP degrees of protection refer to 'Technical support' in the Download Centre.