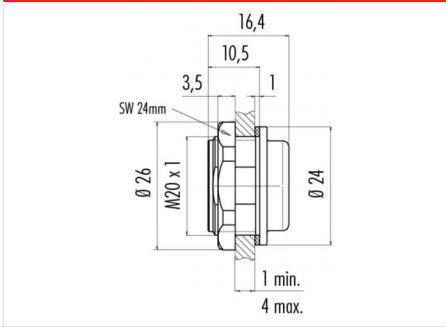


Product	Snap-In IP67 adapter, Shielding is not possible, pluggable, VDE
Area	Snap-In IP67 series 720
Article number	08 2434 000 001

Illustration



Ritning



You can find the item description and assembly instruction on the next page.

Technical data

General features

Kontaktdesign	adapter
Anslutning	pluggable
Övre gränstemperatur	85 °C
Lägre gränstemperatur	- 25 °C
Customs tariff number	85366990

Electrical parameters

Föroreningsgrad	2
EMV-behörighet	Shielding is not possible

Material

Kontaktplätering	Au (gold)
------------------	-----------

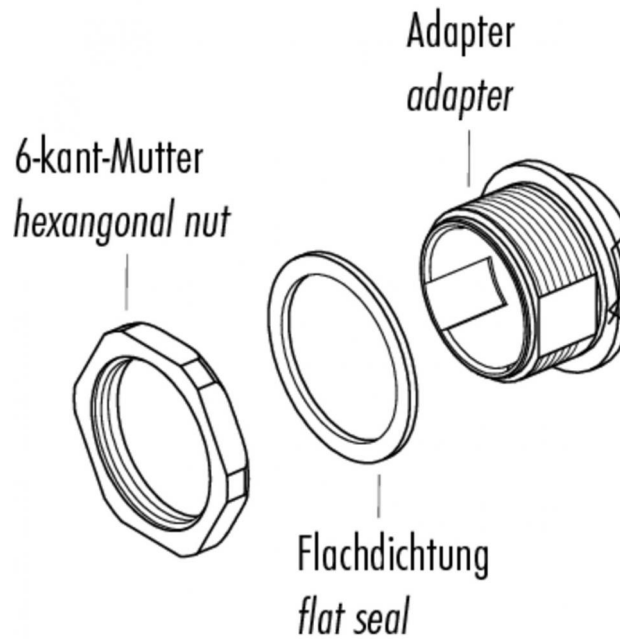
Cable data

Godkännande 1	VDE
---------------	-----

Product Snap-In IP67 adapter, Shielding is not possible, pluggable, VDE

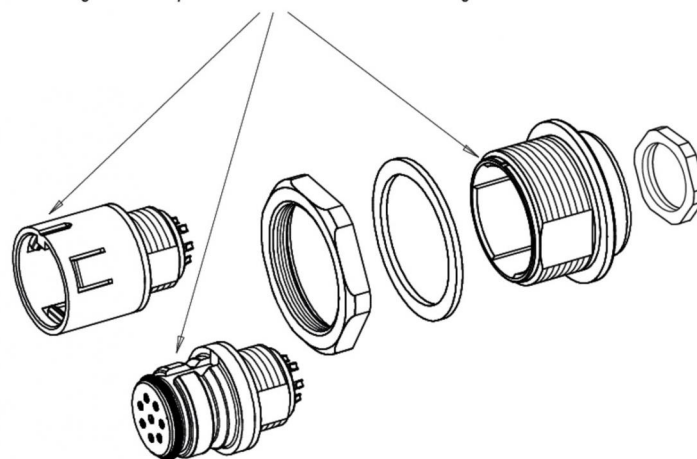
Area Snap-In IP67 series 720
Article number 08 2434 000 001

Sprängskiss



Installationsinstruktioner / Monteringsutdrag

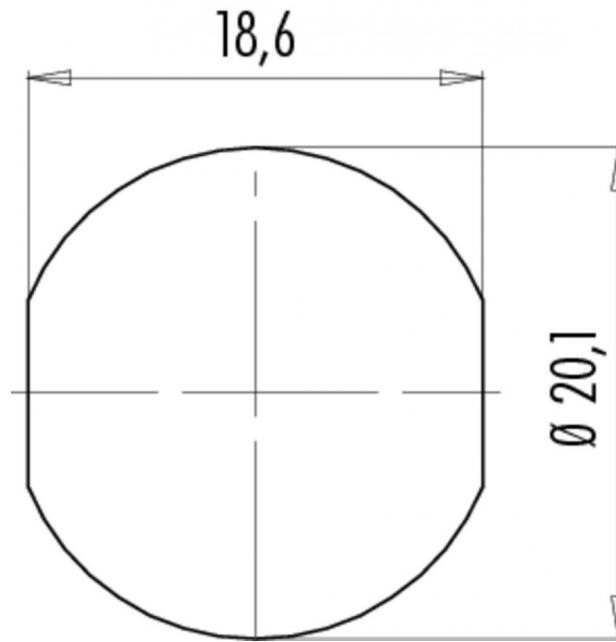
Die Markierung des Adapters muss mit der Kodiernase des Einsatzes übereinstimmen
The marking of the adapter must be conform with the coding nut of the insert



Einsätze müssen separat bestellt werden
Inserts have to be ordered separately

Product	Snap-In IP67 adapter, Shielding is not possible, pluggable, VDE
Area	Snap-In IP67 series 720
Article number	08 2434 000 001

Installationsinstruktioner / Monteringsutdrag



Product	Snap-In IP67 adapter, Shielding is not possible, pluggable, VDE
Area	Snap-In IP67 series 720
Article number	08 2434 000 001

Security notices

The connector must not be connected or separated under load. Non-observance and incorrect use can result in personal injury.

The connectors are designed for use in plant, control system and electrical equipment. The end user is responsible for checking whether the connectors are suitable for use in other applications.