

Product **M16 IP40 female cable connector, Contacts: 16, 4.0 - 6.0 mm, shieldable, solder, IP40**
 Area **M16 IP40 series 581**
 Article number **99 2038 00 16**

| Illustration | Ritning | Polbild | | | | | | | | | | | | | | | | | | | | | | | | | | | | | | | | | | | | | | | | | | | | | | | | | | | |
|--------------|---------|---|--|---|---|---|------|-------|---|------|-------|---|------|------|---|------|------|---|------|------|---|------|------|---|-------|------|---|-------|------|---|-------|------|---|-------|-------|---|-------|-------|---|------|-------|---|------|-------|---|------|------|---|-------|------|---|-------|-------|
| | | <table border="1" style="margin-left: auto; margin-right: auto;"> <thead> <tr> <th></th> <th>X</th> <th>Y</th> </tr> </thead> <tbody> <tr><td>A</td><td>2,50</td><td>-4,00</td></tr> <tr><td>B</td><td>4,00</td><td>-2,25</td></tr> <tr><td>C</td><td>4,25</td><td>0,00</td></tr> <tr><td>D</td><td>4,00</td><td>2,40</td></tr> <tr><td>E</td><td>2,30</td><td>4,00</td></tr> <tr><td>F</td><td>0,00</td><td>4,25</td></tr> <tr><td>G</td><td>-2,30</td><td>4,00</td></tr> <tr><td>H</td><td>-4,00</td><td>2,40</td></tr> <tr><td>I</td><td>-4,25</td><td>0,00</td></tr> <tr><td>K</td><td>-4,00</td><td>-2,25</td></tr> <tr><td>L</td><td>-2,50</td><td>-4,00</td></tr> <tr><td>M</td><td>0,00</td><td>-2,60</td></tr> <tr><td>N</td><td>2,45</td><td>-0,80</td></tr> <tr><td>O</td><td>1,50</td><td>2,10</td></tr> <tr><td>P</td><td>-1,50</td><td>2,10</td></tr> <tr><td>R</td><td>-2,40</td><td>-0,80</td></tr> </tbody> </table> | | X | Y | A | 2,50 | -4,00 | B | 4,00 | -2,25 | C | 4,25 | 0,00 | D | 4,00 | 2,40 | E | 2,30 | 4,00 | F | 0,00 | 4,25 | G | -2,30 | 4,00 | H | -4,00 | 2,40 | I | -4,25 | 0,00 | K | -4,00 | -2,25 | L | -2,50 | -4,00 | M | 0,00 | -2,60 | N | 2,45 | -0,80 | O | 1,50 | 2,10 | P | -1,50 | 2,10 | R | -2,40 | -0,80 |
| | X | Y | | | | | | | | | | | | | | | | | | | | | | | | | | | | | | | | | | | | | | | | | | | | | | | | | | | |
| A | 2,50 | -4,00 | | | | | | | | | | | | | | | | | | | | | | | | | | | | | | | | | | | | | | | | | | | | | | | | | | | |
| B | 4,00 | -2,25 | | | | | | | | | | | | | | | | | | | | | | | | | | | | | | | | | | | | | | | | | | | | | | | | | | | |
| C | 4,25 | 0,00 | | | | | | | | | | | | | | | | | | | | | | | | | | | | | | | | | | | | | | | | | | | | | | | | | | | |
| D | 4,00 | 2,40 | | | | | | | | | | | | | | | | | | | | | | | | | | | | | | | | | | | | | | | | | | | | | | | | | | | |
| E | 2,30 | 4,00 | | | | | | | | | | | | | | | | | | | | | | | | | | | | | | | | | | | | | | | | | | | | | | | | | | | |
| F | 0,00 | 4,25 | | | | | | | | | | | | | | | | | | | | | | | | | | | | | | | | | | | | | | | | | | | | | | | | | | | |
| G | -2,30 | 4,00 | | | | | | | | | | | | | | | | | | | | | | | | | | | | | | | | | | | | | | | | | | | | | | | | | | | |
| H | -4,00 | 2,40 | | | | | | | | | | | | | | | | | | | | | | | | | | | | | | | | | | | | | | | | | | | | | | | | | | | |
| I | -4,25 | 0,00 | | | | | | | | | | | | | | | | | | | | | | | | | | | | | | | | | | | | | | | | | | | | | | | | | | | |
| K | -4,00 | -2,25 | | | | | | | | | | | | | | | | | | | | | | | | | | | | | | | | | | | | | | | | | | | | | | | | | | | |
| L | -2,50 | -4,00 | | | | | | | | | | | | | | | | | | | | | | | | | | | | | | | | | | | | | | | | | | | | | | | | | | | |
| M | 0,00 | -2,60 | | | | | | | | | | | | | | | | | | | | | | | | | | | | | | | | | | | | | | | | | | | | | | | | | | | |
| N | 2,45 | -0,80 | | | | | | | | | | | | | | | | | | | | | | | | | | | | | | | | | | | | | | | | | | | | | | | | | | | |
| O | 1,50 | 2,10 | | | | | | | | | | | | | | | | | | | | | | | | | | | | | | | | | | | | | | | | | | | | | | | | | | | |
| P | -1,50 | 2,10 | | | | | | | | | | | | | | | | | | | | | | | | | | | | | | | | | | | | | | | | | | | | | | | | | | | |
| R | -2,40 | -0,80 | | | | | | | | | | | | | | | | | | | | | | | | | | | | | | | | | | | | | | | | | | | | | | | | | | | |

You can find the item description on the next page.

Technical data

General features

| | |
|-----------------------|------------------------|
| Kontaktdesign | female cable connector |
| Kontaktionslåsning | screw |
| Anslutning | solder |
| Tvärsnitt (mm) | 0.25 mm ² |
| Tvärsnitt (AWG) | 24 |
| Kabeluttag | 4.0 - 6.0 mm |
| Övre gränstemperatur | 85 °C |
| Lägre gränstemperatur | -40 °C |
| Customs tariff number | 85369010 |

Electrical parameters

| | |
|-------------------------|----------------------|
| Märkström (40°C) | 3 A |
| Märkspänning | 60 V |
| Märkstötspänning | 500 V |
| Föroreningsgrad | 1 |
| Överspänningskategori | I |
| Isoleringsmaterialgrupp | III |
| Resistans | ≤ 3 mΩ |
| Insulation resistance | ≥ 10 ¹⁰ Ω |
| EMV-behörighet | shieldable |
| Kapslingsklass | IP40 |
| Mekanisk livslängd | > 500 Mating cycles |

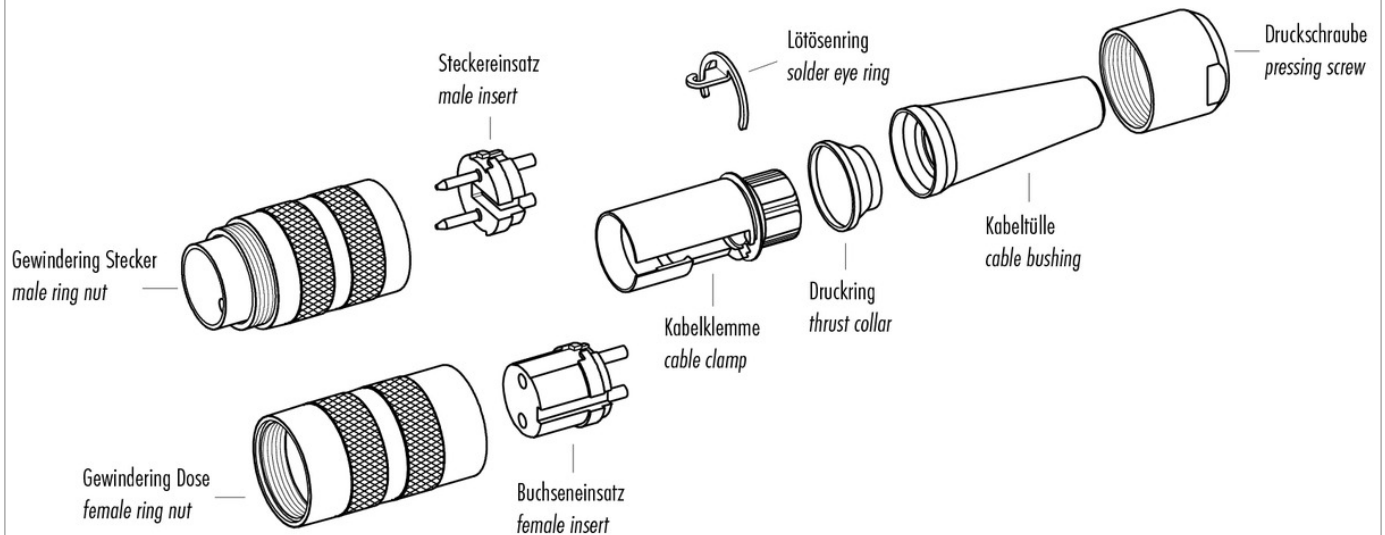
Material

| | |
|-----------------------|-----------------|
| Kontaktmaterial | CuSn (bronze) |
| Kontaktplätering | Au (gold) |
| Kontaktkroppsmaterial | PBT (UL 94 V-0) |

Product **M16 IP40 female cable connector, Contacts: 16, 4.0 - 6.0 mm, shieldable, solder, IP40**

Area **M16 IP40 series 581**
Article number **99 2038 00 16**

Sprängskiss



| | |
|----------------|--|
| Product | M16 IP40 female cable connector, Contacts: 16, 4.0 - 6.0 mm, shieldable, solder, IP40 |
| Area | M16 IP40 series 581 |
| Article number | 99 2038 00 16 |

Security notices

The connectors are designed for use in plant, control system and electrical equipment. The end user is responsible for checking whether the connectors are suitable for use in other applications.

To lock the cable connector to the equipment connector, the threaded ring is tightened until it is 'finger-tight' (approx. 50 cNm).