

Product **M16 IP40 female cable connector, Contacts: 12, 4.0 - 6.0 mm, shieldable, solder, IP40**  
 Area **M16 IP40 series 581**  
 Article number **99 2030 00 12**

Illustration	Ritning	Polbild																																							
		<table border="1" style="margin-left: auto; margin-right: auto;"> <thead> <tr> <th></th> <th>X</th> <th>Y</th> </tr> </thead> <tbody> <tr><td>A</td><td>-0,44</td><td>-3,45</td></tr> <tr><td>B</td><td>2,29</td><td>-3,61</td></tr> <tr><td>C</td><td>4,10</td><td>-1,21</td></tr> <tr><td>D</td><td>3,20</td><td>1,34</td></tr> <tr><td>E</td><td>2,71</td><td>3,59</td></tr> <tr><td>F</td><td>0,41</td><td>3,45</td></tr> <tr><td>G</td><td>-2,29</td><td>3,61</td></tr> <tr><td>H</td><td>-4,10</td><td>1,21</td></tr> <tr><td>J</td><td>-3,20</td><td>-1,34</td></tr> <tr><td>K</td><td>-2,71</td><td>-3,59</td></tr> <tr><td>L</td><td>-2,00</td><td>-1,51</td></tr> <tr><td>M</td><td>-2,00</td><td>1,51</td></tr> </tbody> </table>		X	Y	A	-0,44	-3,45	B	2,29	-3,61	C	4,10	-1,21	D	3,20	1,34	E	2,71	3,59	F	0,41	3,45	G	-2,29	3,61	H	-4,10	1,21	J	-3,20	-1,34	K	-2,71	-3,59	L	-2,00	-1,51	M	-2,00	1,51
	X	Y																																							
A	-0,44	-3,45																																							
B	2,29	-3,61																																							
C	4,10	-1,21																																							
D	3,20	1,34																																							
E	2,71	3,59																																							
F	0,41	3,45																																							
G	-2,29	3,61																																							
H	-4,10	1,21																																							
J	-3,20	-1,34																																							
K	-2,71	-3,59																																							
L	-2,00	-1,51																																							
M	-2,00	1,51																																							

You can find the item description on the next page.

## Technical data

### General features

Kontaktdesign	female cable connector
Kontaktionslåsning	screw
Anslutning	solder
Tvärsnitt (mm)	0.25 mm <sup>2</sup>
Tvärsnitt (AWG)	24
Kabeluttag	4.0 - 6.0 mm
Övre gränstemperatur	85 °C
Lägre gränstemperatur	-40 °C
Customs tariff number	85369010

### Electrical parameters

Märkström (40°C)	3 A
Märkspänning	60 V
Märkstötspänning	500 V
Föroreningsgrad	1
Överspänningskategori	I
Isoleringsmaterialgrupp	III
Resistans	≤ 3 mΩ
Insulation resistance	≥ 10 <sup>10</sup> Ω
EMV-behörighet	shieldable
Kapslingsklass	IP40
Mekanisk livslängd	> 500 Mating cycles

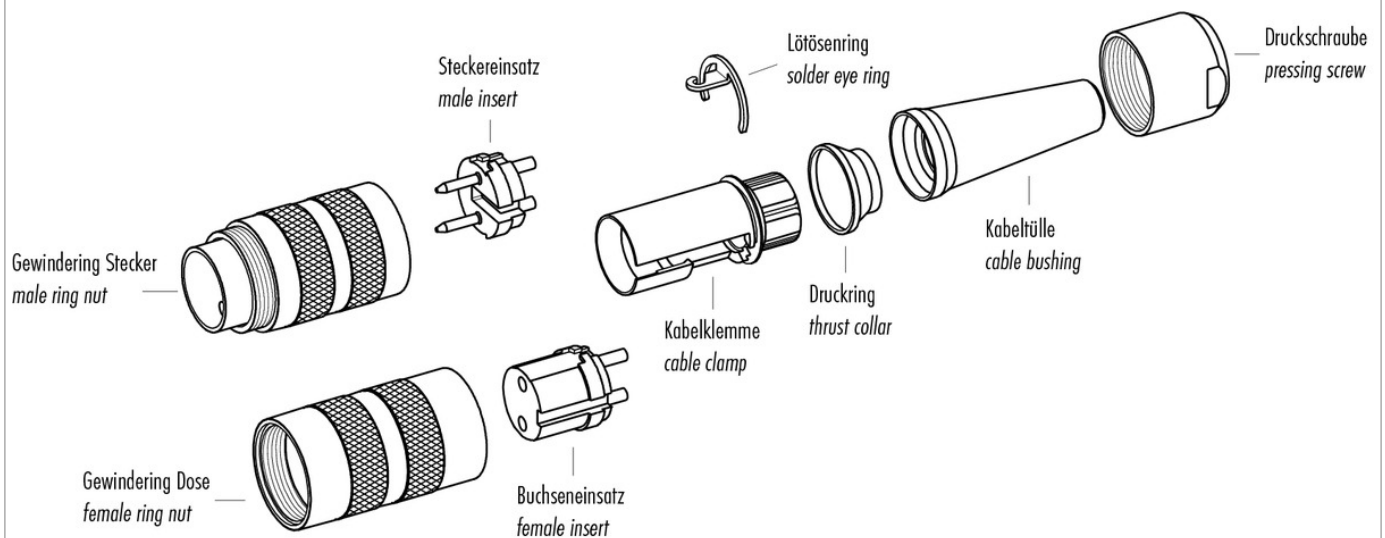
### Material

Kontaktmaterial	CuSn (bronze)
Kontaktplätering	Au (gold)
Kontaktkroppsmaterial	PBT (UL 94 V-0)

Product **M16 IP40 female cable connector, Contacts: 12, 4.0 - 6.0 mm, shieldable, solder, IP40**

Area **M16 IP40 series 581**  
Article number **99 2030 00 12**

### Sprängskiss



Product	<b>M16 IP40 female cable connector, Contacts: 12, 4.0 - 6.0 mm, shieldable, solder, IP40</b>
Area	<b>M16 IP40 series 581</b>
Article number	<b>99 2030 00 12</b>

## Security notices

The connectors are designed for use in plant, control system and electrical equipment. The end user is responsible for checking whether the connectors are suitable for use in other applications.

To lock the cable connector to the equipment connector, the threaded ring is tightened until it is 'finger-tight' (approx. 50 cNm).