

Product **Bajonett HEC female panel mount connector, Contacts: 12, Shielding is not possible, crimp (Crimp contacts must be ordered separately), IP68, IP69K**

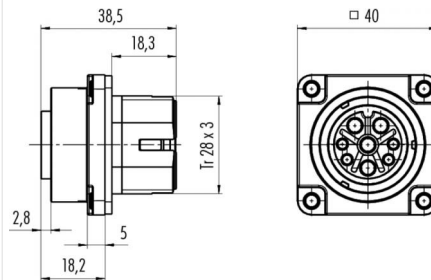
Area **Bajonett HEC series 696**

Article number **09 6520 200 12**

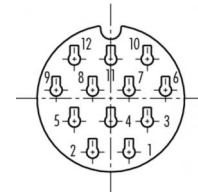
Illustration



Ritning



Polbild



	X	Y
1	2,4	-7,1
2	-2,4	-7,1
3	4,8	-3,0
4	0	-3,0
5	-4,8	-3,0
6	7,2	1,1
7	2,4	1,1
8	-2,4	1,1
9	-7,2	1,1
10	4,8	5,2
11	0	5,2
12	-4,8	5,2

You can find the item description and assembly instruction on the next page.

Technical data

General features

Kontaktdesign	female panel mount connector
Kontaktionslåsning	Bayonet
Anslutning	crimp (Crimp contacts must be ordered separately)
Tvärsnitt (mm)	0.14 - 0.75 mm ²
Tvärsnitt (AWG)	26 - 18
Övre gränstemperatur	100 °C
Lägre gränstemperatur	- 40 °C
Customs tariff number	85369010

Electrical parameters

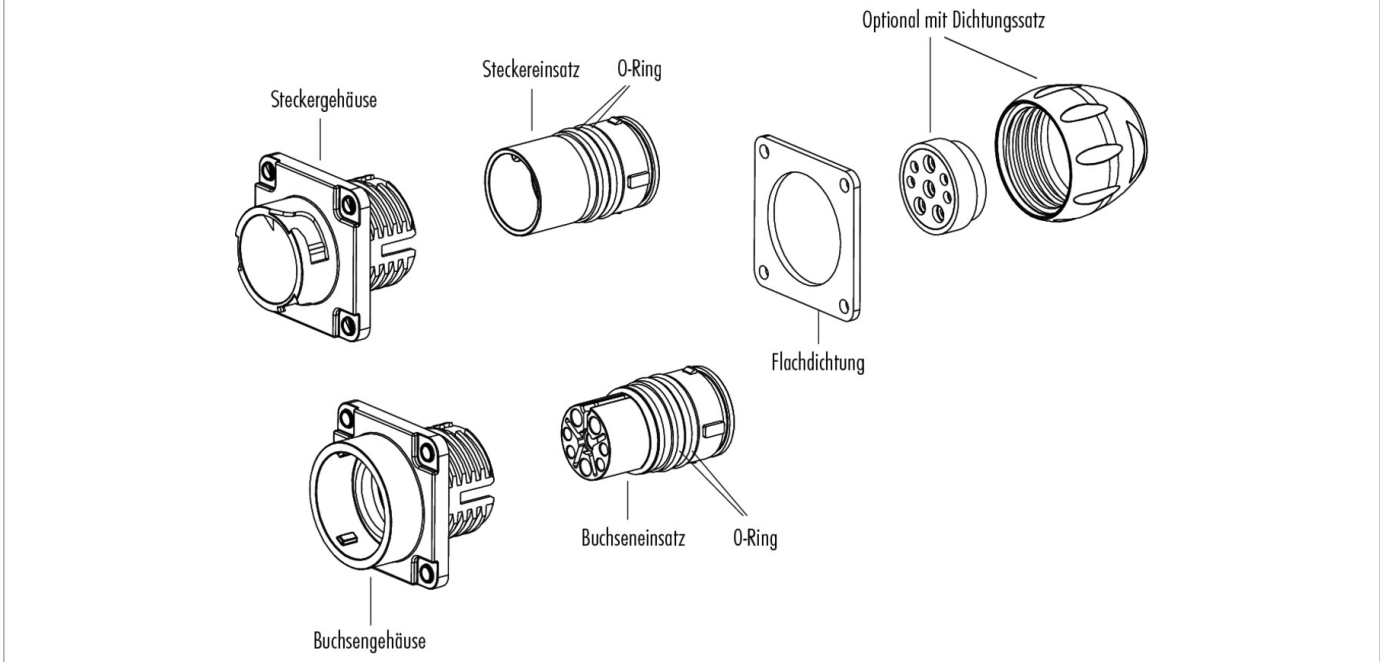
Märkström (40°C)	5 A
Märkspänning	250 V
Märkstötspänning	4000 V
Föreoreningsgrad	3
Överspänningskategori	III
Isoleringsmaterialgrupp	I
Resistans	≤ 5 mΩ
Insulation resistance	> 10 ⁸ Ω
EMV-behörighet	Shielding is not possible
Kapslingsklass	IP68, IP69K
Mekanisk livslängd	> 500 Mating cycles

Material

Kontaktplätning	depending on the crimp contact (accessory)
Kontaktkroppsmaterial	PA
Kontaktthusmaterial	PA

Product	Bajonett HEC female panel mount connector, Contacts: 12, Shielding is not possible, crimp (Crimp contacts must be ordered separately), IP68, IP69K
Area	Bajonett HEC series 696
Article number	09 6520 200 12

Sprängskiss



Installationsinstruktioner / Monteringsutdrag

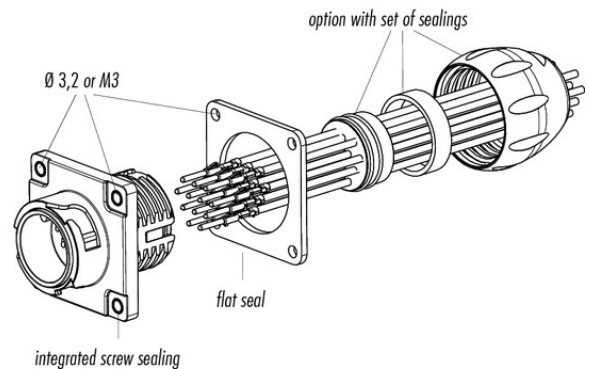
1. Strip single wires to 3.5 mm.
2. Crimp contacts to wires.*
3. Press crimped contacts into contact carrier until they snap into place.

Attention! Bear in mind the positioning of the contacts in relation to the housing. The mark points to the snap.



- 3.1. Option when using the single wire seal:
 - Pierce through the needed sections of the single wire sealings with a pointed device or tool and then bead them over the contacts. Then press contacts into the contact carrier, lay the single wire sealings flat onto the contact carrier and finally fix it with the pressing screw.
4. Push the pressing screw over the bundle of single wires and fix it afterwards by screwing. (recommended torque 40 cNm)

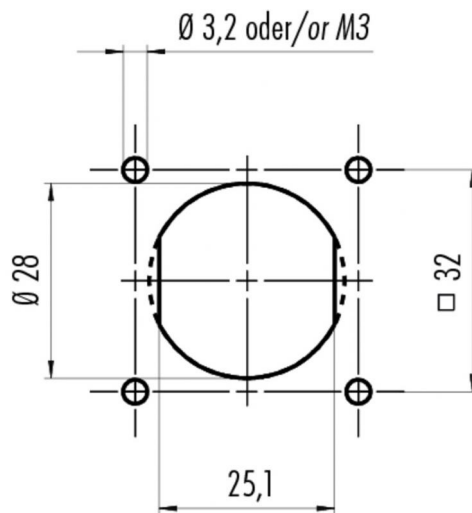
Extracting the contacts:
As the contacts are full floating the extraction tool can be inserted with slight pendular movements to block. Afterwards press the extraction button.



* Crimping tool for single contacts Ordering-No. 66 0001 014 100
 Crimping tool for strip contacts Ordering-No. 67 0001 014 100
 Extraction tool for contacts Ordering-No. 07 0088 000

Product	Bajonett HEC female panel mount connector, Contacts: 12, Shielding is not possible, crimp (Crimp contacts must be ordered separately), IP68, IP69K
Area	Bajonett HEC series 696
Article number	09 6520 200 12

Installationsinstruktioner / Monteringsutdrag



Alternative mit Abflachung
Alternative with flats

Product	Bajonett HEC female panel mount connector, Contacts: 12, Shielding is not possible, crimp (Crimp contacts must be ordered separately), IP68, IP69K
Area	Bajonett HEC series 696
Article number	09 6520 200 12

Security notices

The connector must not be connected or separated under load. Non-observance and incorrect use can result in personal injury.

The connectors are designed for use in plant, control system and electrical equipment. The end user is responsible for checking whether the connectors are suitable for use in other applications.