

Product **Snap-In IP67 male panel mount connector, Contacts: 5, Shielding is not possible, solder, IP67**  
 Area **Snap-In IP67 series 620**  
 Article number **99 9215 060 05**

| Illustration | Ritning | Polbild   |  |   |   |   |      |       |   |      |      |   |      |      |   |       |      |   |       |       |
|--------------|---------|---|--|---|---|---|------|-------|---|------|------|---|------|------|---|-------|------|---|-------|-------|
|              |         | <table border="1" style="margin-left: 20px;"> <thead> <tr> <th></th> <th>X</th> <th>Y</th> </tr> </thead> <tbody> <tr> <td>1</td> <td>1,23</td> <td>-1,70</td> </tr> <tr> <td>2</td> <td>2,00</td> <td>0,65</td> </tr> <tr> <td>3</td> <td>0,00</td> <td>2,10</td> </tr> <tr> <td>4</td> <td>-2,00</td> <td>0,65</td> </tr> <tr> <td>5</td> <td>-1,23</td> <td>-1,70</td> </tr> </tbody> </table> |  | X | Y | 1 | 1,23 | -1,70 | 2 | 2,00 | 0,65 | 3 | 0,00 | 2,10 | 4 | -2,00 | 0,65 | 5 | -1,23 | -1,70 |
|              | X       | Y   |  |   |   |   |      |       |   |      |      |   |      |      |   |       |      |   |       |       |
| 1            | 1,23    | -1,70   |  |   |   |   |      |       |   |      |      |   |      |      |   |       |      |   |       |       |
| 2            | 2,00    | 0,65  |  |   |   |   |      |       |   |      |      |   |      |      |   |       |      |   |       |       |
| 3            | 0,00    | 2,10  |  |   |   |   |      |       |   |      |      |   |      |      |   |       |      |   |       |       |
| 4            | -2,00   | 0,65  |  |   |   |   |      |       |   |      |      |   |      |      |   |       |      |   |       |       |
| 5            | -1,23   | -1,70   |  |   |   |   |      |       |   |      |      |   |      |      |   |       |      |   |       |       |

You can find the item description and assembly instruction on the next page.

## Technical data

### General features

|                       |                            |
|-----------------------|----------------------------|
| Kontaktdesign         | male panel mount connector |
| Kontaktionslåsning    | snap                       |
| Anslutning            | solder                     |
| Tvärsnitt (mm)        | 0.25 mm <sup>2</sup>       |
| Tvärsnitt (AWG)       | 24                         |
| Övre gränstemperatur  | 85 °C                      |
| Lägre gränstemperatur | - 25 °C                    |
| Customs tariff number | 85369010                   |

### Electrical parameters

|                         |                           |
|-------------------------|---------------------------|
| Märkström (40°C)        | 2 A                       |
| Märkspänning            | 63 V                      |
| Märkstötspänning        | 800 V                     |
| Föroreningsgrad         | 2                         |
| Överspänningskategori   | II                        |
| Isoleringsmaterialgrupp | II                        |
| Resistans               | ≤ 3 mΩ                    |
| Insulation resistance   | ≥ 10 <sup>10</sup> Ω      |
| EMV-behörighet          | Shielding is not possible |
| Kapslingsklass          | IP67                      |
| Mekanisk livslängd      | > 500 Mating cycles       |

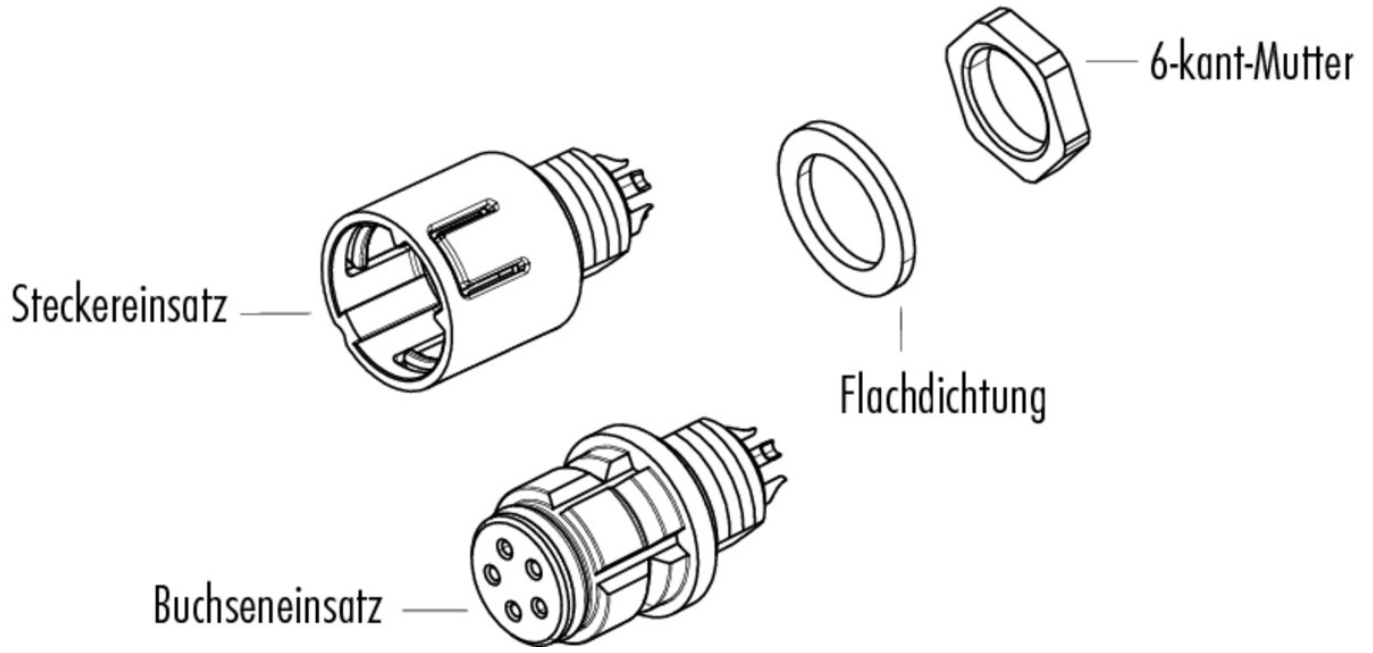
### Material

|                       |                |
|-----------------------|----------------|
| Kontaktmaterial       | CuZn (brass)   |
| Kontaktplätering      | Au (gold)      |
| Kontaktkroppsmaterial | PA (UL 94 V-0) |
| Kontakthusmaterial    | PA             |

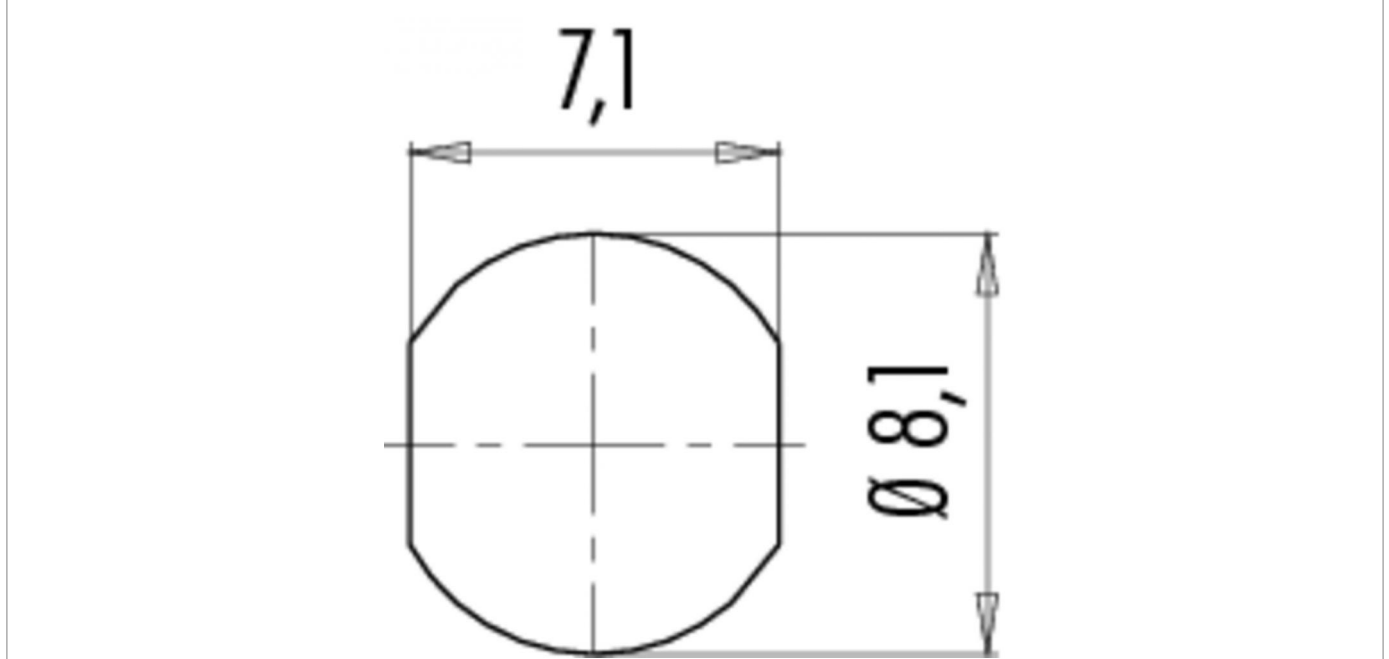
Product Snap-In IP67 male panel mount connector, Contacts: 5, Shielding is not possible, solder, IP67

Area Snap-In IP67 series 620  
Article number 99 9215 060 05

Sprängskiss



Installationsinstruktioner / Monteringsutdrag



|                |  |
|----------------|--|
| Product        | <b>Snap-In IP67 male panel mount connector, Contacts: 5, Shielding is not possible, solder, IP67</b> |
| Area           | <b>Snap-In IP67 series 620</b>   |
| Article number | <b>99 9215 060 05</b>  |

## Security notices

The connectors are designed for use in plant, control system and electrical equipment. The end user is responsible for checking whether the connectors are suitable for use in other applications. Connectors with degree of protection IP 67 and IP 68 are not suitable for use under water. When used outdoors, the connectors must be separately protected against corrosion. For further information about IP degrees of protection refer to 'Technical support' in the Download Centre.