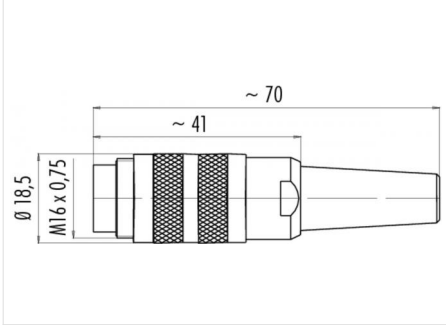


Product **M16 IP40 cable connector, Contacts: 12, 6.0 - 8.0 mm, shieldable, solder, IP40**  
 Area **M16 IP40 series 581**  
 Article number **99 2029 20 12**

**Illustration**



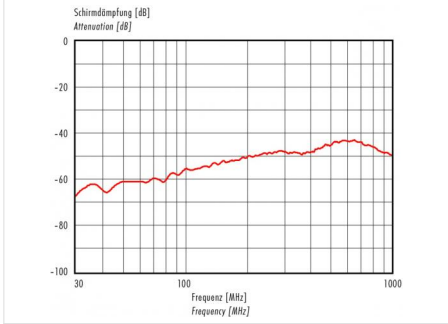
**Ritning**



**Polbild**

	X	Y
A	0,44	-3,45
B	-2,29	-3,61
C	-4,10	-1,21
D	-3,20	1,34
E	-2,71	3,59
F	-0,41	3,45
G	2,29	3,61
H	4,10	1,21
J	3,20	-1,34
K	2,71	-3,59
L	-2,00	-1,51
M	2,00	1,51

**Derating curve**



You can find the item description on the next page.

**Technical data**

**General features**

Kontaktdesign	cable connector
Kontaktionslösning	screw
Anslutning	solder
Tvärsnitt (mm)	0.25 mm <sup>2</sup>
Tvärsnitt (AWG)	24
Kabeluttag	6.0 - 8.0 mm
Övre gränstemperatur	85 °C
Lägre gränstemperatur	- 40 °C
Customs tariff number	85369010

**Electrical parameters**

Märkström (40°C)	3 A
Märkspänning	60 V
Märksstötspänning	500 V
Föroreningsgrad	1
Överspanningskategori	I
Isoleringsmaterialgrupp	III
Resistans	≤ 3 mΩ
Insulation resistance	≥ 10 <sup>10</sup> Ω
EMV-behörighet	shieldable
Kapslingsklass	IP40
Mekanisk livslängd	> 500 Mating cycles

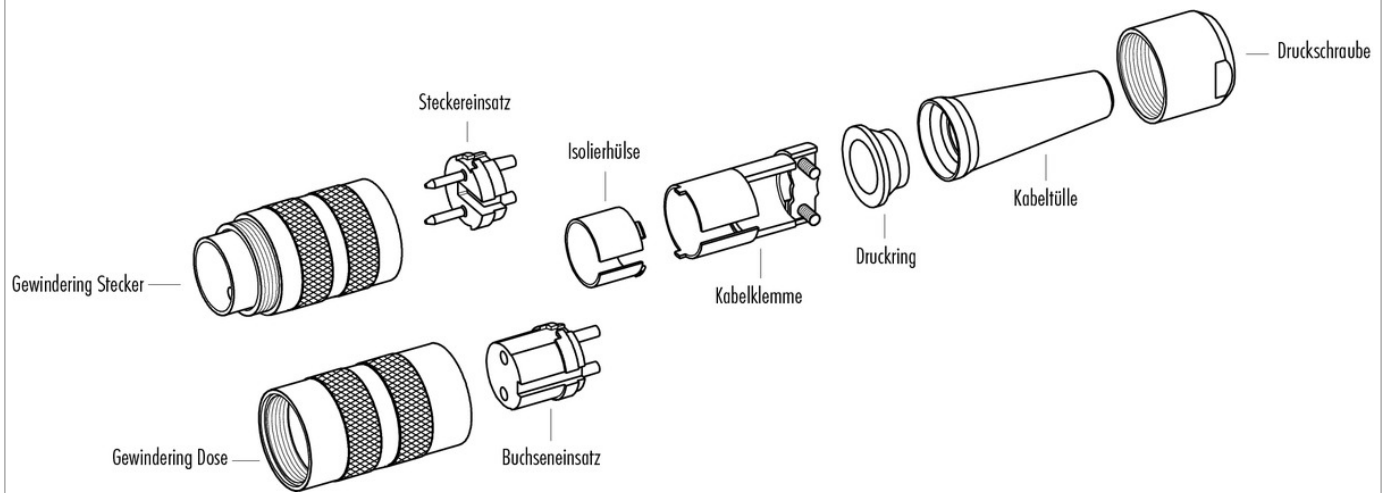
**Material**

Kontaktmaterial	CuZn (brass)
Kontaktplätering	Au (gold)
Kontaktkroppsmaterial	PBT (UL 94 V-0)

Product **M16 IP40 cable connector, Contacts: 12, 6.0 - 8.0 mm, shieldable, solder, IP40**

Area **M16 IP40 series 581**  
Article number **99 2029 20 12**

### Sprängskiss



Product	<b>M16 IP40 cable connector, Contacts: 12, 6.0 - 8.0 mm, shieldable, solder, IP40</b>
Area	<b>M16 IP40 series 581</b>
Article number	<b>99 2029 20 12</b>

## Security notices

The connectors are designed for use in plant, control system and electrical equipment. The end user is responsible for checking whether the connectors are suitable for use in other applications.

To lock the cable connector to the equipment connector, the threaded ring is tightened until it is 'finger-tight' (approx. 50 cNm).