

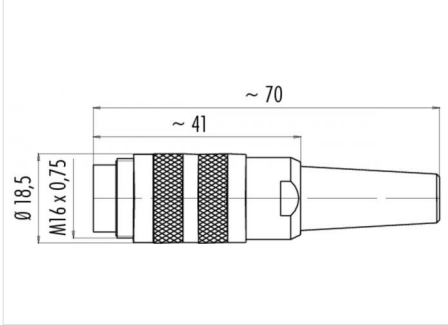
Product **M16 IP40 cable connector, Contacts: 7, 6.0 - 8.0 mm, shieldable, solder, IP40**

Area **M16 IP40 series 581**  
 Article number **99 2025 20 07**

**Illustration**



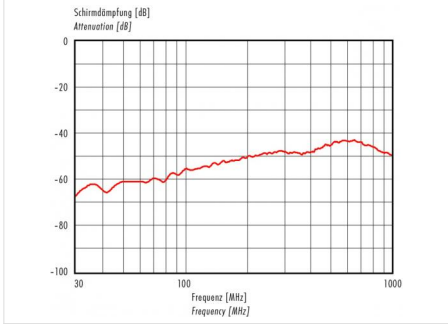
**Ritning**



**Polbild**

	X	Y
1	-1,75	-3,03
2	-3,50	0,00
3	-1,75	3,03
4	1,75	3,03
5	3,50	0,00
6	1,75	-3,03
7	0,00	0,00

**Derating curve**



You can find the item description on the next page.

**Technical data**

**General features**

Kontaktdesign	cable connector
Kontaktionslösning	screw
Anslutning	solder
Tvärsnitt (mm)	0.75 mm <sup>2</sup>
Tvärsnitt (AWG)	18
Kabeluttag	6.0 - 8.0 mm
Övre gränstemperatur	85 °C
Lägre gränstemperatur	- 40 °C
Customs tariff number	85369010

**Electrical parameters**

Märkström (40°C)	5 A
Märkspänning	125 V
Märksstötspänning	800 V
Föroreningsgrad	1
Överspanningskategori	I
Isoleringsmaterialgrupp	III
Resistans	≤ 5 mΩ
Insulation resistance	≥ 10 <sup>10</sup> Ω
EMV-behörighet	shieldable
Kapslingsklass	IP40
Mekanisk livslängd	> 500 Mating cycles

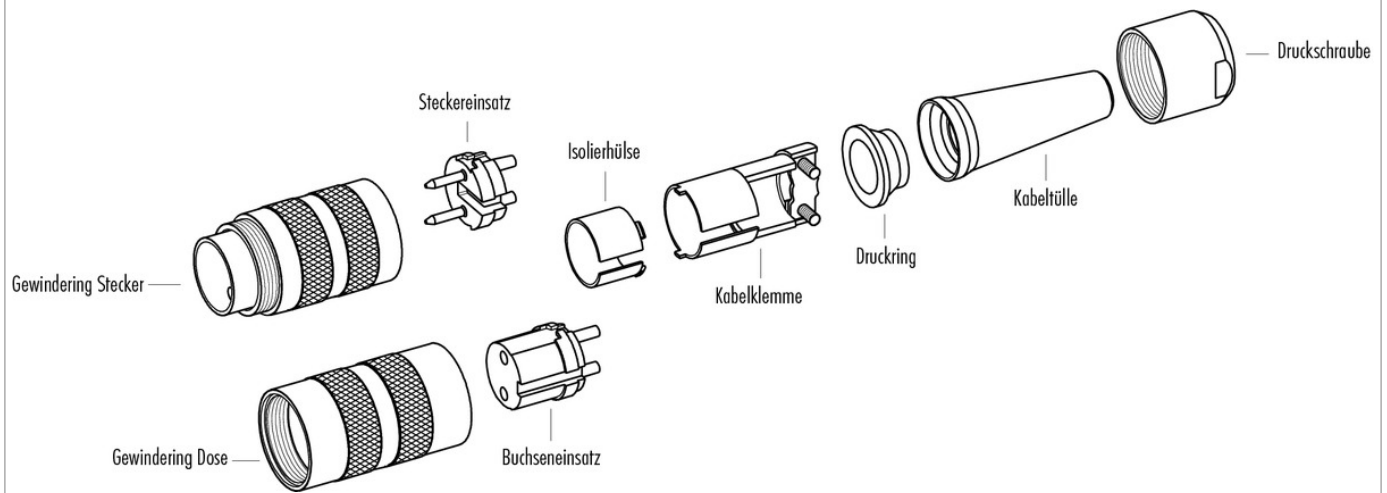
**Material**

Kontaktmaterial	CuZn (brass)
Kontaktplätning	Ag (silver)
Kontaktkroppsmaterial	PBT (UL 94 V-0)

Product **M16 IP40 cable connector, Contacts: 7, 6.0 - 8.0 mm, shieldable, solder, IP40**

Area **M16 IP40 series 581**  
Article number **99 2025 20 07**

### Sprängskiss



Product	<b>M16 IP40 cable connector, Contacts: 7, 6.0 - 8.0 mm, shieldable, solder, IP40</b>
Area	<b>M16 IP40 series 581</b>
Article number	<b>99 2025 20 07</b>

## Security notices

The connector must not be connected or separated under load. Non-observance and incorrect use can result in personal injury.

The connectors are designed for use in plant, control system and electrical equipment. The end user is responsible for checking whether the connectors are suitable for use in other applications.

To prevent the connector being opened unintentionally when used in electrical circuits containing hazardous life parts, the thread between the housing and the connector head must be secured using a suitable cyanoacrylate adhesive. This does not apply to connectors used in SELV and PELV circuits according to IEC 61140 (EN 61140, VDE 0140-1).

Connectors used in electrical circuits containing hazardous life parts must only be assembled and used by or under the supervision of persons with the requisite electrotechnical training, taking the applicable regulations and standards into account.

To lock the cable connector to the equipment connector, the threaded ring is tightened until it is 'finger-tight' (approx. 50 cNm).