

Product **Push-Pull cable connector, Contacts: 8 DIN, 4.0 - 8.0 mm, shieldable, solder, IP67**

Area **Push-Pull series 440**  
Article number **99 4829 00 08**

| Illustration | Ritning | Polbild   |  |   |   |   |      |      |   |      |      |   |       |      |   |      |      |   |       |      |   |      |       |   |       |       |   |      |       |
|--------------|---------|---|--|---|---|---|------|------|---|------|------|---|-------|------|---|------|------|---|-------|------|---|------|-------|---|-------|-------|---|------|-------|
|              |         | <table border="1" style="margin-left: auto; margin-right: auto;"> <thead> <tr> <th></th> <th>X</th> <th>Y</th> </tr> </thead> <tbody> <tr><td>1</td><td>3,50</td><td>0,00</td></tr> <tr><td>2</td><td>0,00</td><td>3,50</td></tr> <tr><td>3</td><td>-3,50</td><td>0,00</td></tr> <tr><td>4</td><td>2,47</td><td>2,47</td></tr> <tr><td>5</td><td>-2,47</td><td>2,47</td></tr> <tr><td>6</td><td>2,47</td><td>-2,47</td></tr> <tr><td>7</td><td>-2,47</td><td>-2,47</td></tr> <tr><td>8</td><td>0,00</td><td>-0,70</td></tr> </tbody> </table> |  | X | Y | 1 | 3,50 | 0,00 | 2 | 0,00 | 3,50 | 3 | -3,50 | 0,00 | 4 | 2,47 | 2,47 | 5 | -2,47 | 2,47 | 6 | 2,47 | -2,47 | 7 | -2,47 | -2,47 | 8 | 0,00 | -0,70 |
|              | X       | Y   |  |   |   |   |      |      |   |      |      |   |       |      |   |      |      |   |       |      |   |      |       |   |       |       |   |      |       |
| 1            | 3,50    | 0,00  |  |   |   |   |      |      |   |      |      |   |       |      |   |      |      |   |       |      |   |      |       |   |       |       |   |      |       |
| 2            | 0,00    | 3,50  |  |   |   |   |      |      |   |      |      |   |       |      |   |      |      |   |       |      |   |      |       |   |       |       |   |      |       |
| 3            | -3,50   | 0,00  |  |   |   |   |      |      |   |      |      |   |       |      |   |      |      |   |       |      |   |      |       |   |       |       |   |      |       |
| 4            | 2,47    | 2,47  |  |   |   |   |      |      |   |      |      |   |       |      |   |      |      |   |       |      |   |      |       |   |       |       |   |      |       |
| 5            | -2,47   | 2,47  |  |   |   |   |      |      |   |      |      |   |       |      |   |      |      |   |       |      |   |      |       |   |       |       |   |      |       |
| 6            | 2,47    | -2,47   |  |   |   |   |      |      |   |      |      |   |       |      |   |      |      |   |       |      |   |      |       |   |       |       |   |      |       |
| 7            | -2,47   | -2,47   |  |   |   |   |      |      |   |      |      |   |       |      |   |      |      |   |       |      |   |      |       |   |       |       |   |      |       |
| 8            | 0,00    | -0,70   |  |   |   |   |      |      |   |      |      |   |       |      |   |      |      |   |       |      |   |      |       |   |       |       |   |      |       |

You can find the item description and assembly instruction on the next page.

## Technical data

### General features

|                       |                      |
|-----------------------|----------------------|
| Kontaktdesign         | cable connector      |
| Kontaktionslösning    | Push-Pull            |
| Anslutning            | solder               |
| Tvärsnitt (mm)        | 0.75 mm <sup>2</sup> |
| Tvärsnitt (AWG)       | 18                   |
| Kabeluttag            | 4.0 - 8.0 mm         |
| Övre gränstemperatur  | 85 °C                |
| Lägre gränstemperatur | -40 °C               |
| Customs tariff number | 85369010             |

### Electrical parameters

|                         |                      |
|-------------------------|----------------------|
| Märkström (40°C)        | 5 A                  |
| Märkspänning            | 60 V                 |
| Märkstötspänning        | 500 V                |
| Föroreningsgrad         | 1                    |
| Överspänningskategori   | I                    |
| Isoleringsmaterialgrupp | III                  |
| Resistans               | ≤ 3 mΩ               |
| Insulation resistance   | ≥ 10 <sup>10</sup> Ω |
| EMV-behörighet          | shieldable           |
| Kapslingsklass          | IP67                 |
| Mekanisk livslängd      | > 1000 Mating cycles |

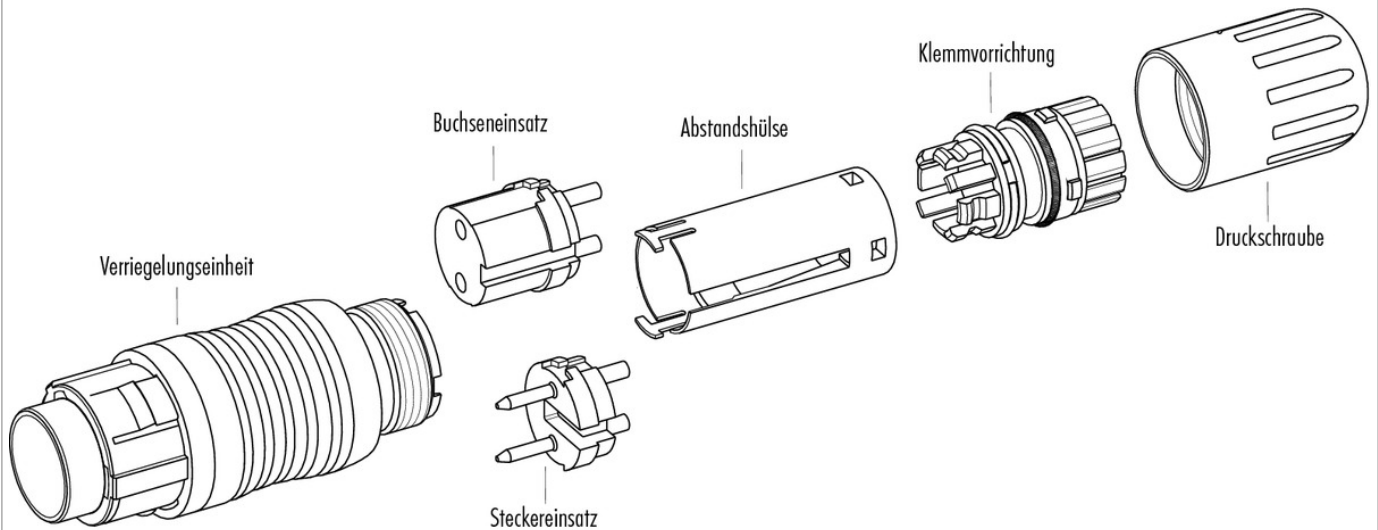
### Material

|                       |                 |
|-----------------------|-----------------|
| Kontaktmaterial       | CuZn (brass)    |
| Kontaktplätning       | Au (gold)       |
| Kontaktkroppsmaterial | PBT (UL 94 V-0) |
| Kontaktthusmaterial   | PA GF 25        |

Product **Push-Pull cable connector, Contacts: 8 DIN, 4.0 - 8.0 mm, shieldable, solder, IP67**

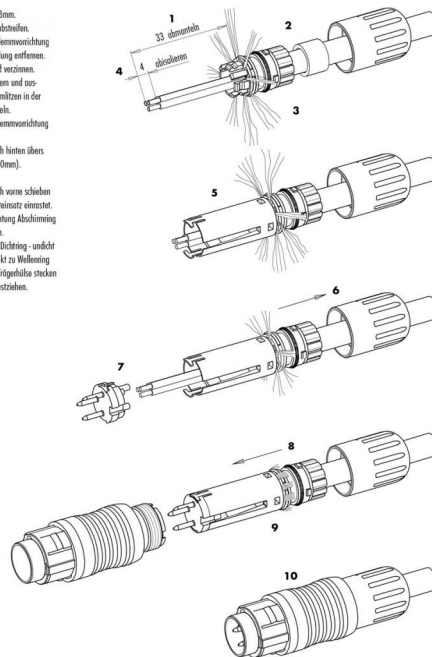
Area **Push-Pull series 440**  
 Article number **99 4829 00 08**

Sprängskiss



Installationsinstruktioner / Monteringsutdrag

1. Abmontiere auf L = 33mm. Umarmstellung nicht abstellen.
2. Druckschraube und Klemmvorrichtung aufziehen. Umarmstellung auflockern.
3. Litzen abschleifen und verzinnen.
4. Abschirmung aufschleifen und ausklemmen. Die Abschmälzen in der Krone rundum einflößen.
5. Abstandshülse und Klemmvorrichtung versetzen.
6. Gesteckte Einheit nach hinten übers Kabel schieben (ca. 10mm).
7. Einätze anlöten.
8. Gesteckte Einheit nach vorne schieben bis sie in den Kontaktstecker einrastet.
9. Abschmälztaue in Richtung Abschirmung abstreifen und kürzen.
- zu lang: Litzen auf Richtung - undicht
- zu kurz: kein Kontakt zu Wellenring
10. Montierte Einheit in Folgehülse stecken und Druckschraube festziehen.



|                |   |
|----------------|---|
| Product        | <b>Push-Pull cable connector, Contacts: 8 DIN, 4.0 - 8.0 mm, shieldable, solder, IP67</b> |
| Area           | <b>Push-Pull series 440</b>   |
| Article number | <b>99 4829 00 08</b>  |

## Security notices

The connectors are designed for use in plant, control system and electrical equipment. The end user is responsible for checking whether the connectors are suitable for use in other applications. Connectors with degree of protection IP 67 and IP 68 are not suitable for use under water. When used outdoors, the connectors must be separately protected against corrosion. For further information about IP degrees of protection refer to 'Technical support' in the Download Centre.