

Product **Push-Pull cable connector, Contacts: 6 DIN, 4.0 - 8.0 mm, shieldable, solder, IP67**

Area **Push-Pull series 440**  
 Article number **99 4817 00 06**

| Illustration | Ritning | Polbild   |  |   |   |   |      |       |   |      |      |   |      |      |   |       |      |   |       |       |   |      |      |
|--------------|---------|---|--|---|---|---|------|-------|---|------|------|---|------|------|---|-------|------|---|-------|-------|---|------|------|
|              |         | <table border="1" style="margin-left: auto; margin-right: auto;"> <thead> <tr> <th></th> <th>X</th> <th>Y</th> </tr> </thead> <tbody> <tr> <td>1</td> <td>3,03</td> <td>-1,75</td> </tr> <tr> <td>2</td> <td>3,03</td> <td>1,75</td> </tr> <tr> <td>3</td> <td>0,00</td> <td>3,50</td> </tr> <tr> <td>4</td> <td>-3,03</td> <td>1,75</td> </tr> <tr> <td>5</td> <td>-3,03</td> <td>-1,75</td> </tr> <tr> <td>6</td> <td>0,00</td> <td>0,00</td> </tr> </tbody> </table> |  | X | Y | 1 | 3,03 | -1,75 | 2 | 3,03 | 1,75 | 3 | 0,00 | 3,50 | 4 | -3,03 | 1,75 | 5 | -3,03 | -1,75 | 6 | 0,00 | 0,00 |
|              | X       | Y   |  |   |   |   |      |       |   |      |      |   |      |      |   |       |      |   |       |       |   |      |      |
| 1            | 3,03    | -1,75   |  |   |   |   |      |       |   |      |      |   |      |      |   |       |      |   |       |       |   |      |      |
| 2            | 3,03    | 1,75  |  |   |   |   |      |       |   |      |      |   |      |      |   |       |      |   |       |       |   |      |      |
| 3            | 0,00    | 3,50  |  |   |   |   |      |       |   |      |      |   |      |      |   |       |      |   |       |       |   |      |      |
| 4            | -3,03   | 1,75  |  |   |   |   |      |       |   |      |      |   |      |      |   |       |      |   |       |       |   |      |      |
| 5            | -3,03   | -1,75   |  |   |   |   |      |       |   |      |      |   |      |      |   |       |      |   |       |       |   |      |      |
| 6            | 0,00    | 0,00  |  |   |   |   |      |       |   |      |      |   |      |      |   |       |      |   |       |       |   |      |      |

You can find the item description and assembly instruction on the next page.

## Technical data

### General features

|                       |                      |
|-----------------------|----------------------|
| Kontaktdesign         | cable connector      |
| Kontaktionslösning    | Push-Pull            |
| Anslutning            | solder               |
| Tvärsnitt (mm)        | 0.75 mm <sup>2</sup> |
| Tvärsnitt (AWG)       | 18                   |
| Kabeluttag            | 4.0 - 8.0 mm         |
| Övre gränstemperatur  | 85 °C                |
| Lägre gränstemperatur | -40 °C               |
| Customs tariff number | 85369010             |

### Electrical parameters

|                         |                      |
|-------------------------|----------------------|
| Märkström (40°C)        | 5 A                  |
| Märkspänning            | 125 V                |
| Märkstötspänning        | 800 V                |
| Föroreningsgrad         | 1                    |
| Överspänningskategori   | I                    |
| Isoleringsmaterialgrupp | III                  |
| Resistans               | ≤ 3 mΩ               |
| Insulation resistance   | ≥ 10 <sup>10</sup> Ω |
| EMV-behörighet          | shieldable           |
| Kapslingsklass          | IP67                 |
| Mekanisk livslängd      | > 1000 Mating cycles |

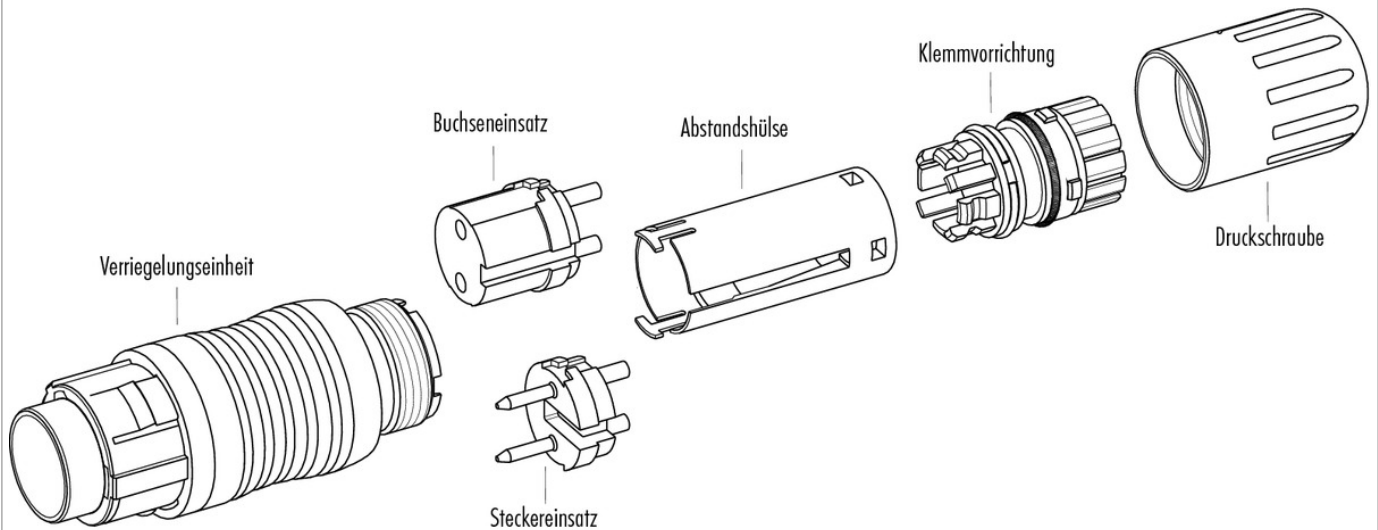
### Material

|                      |                 |
|----------------------|-----------------|
| Kontaktmaterial      | CuZn (brass)    |
| Kontaktplätering     | Au (gold)       |
| Kontaktroppsmaterial | PBT (UL 94 V-0) |
| Kontaktusmaterial    | PA GF 25        |

Product **Push-Pull cable connector, Contacts: 6 DIN, 4.0 - 8.0 mm, shieldable, solder, IP67**

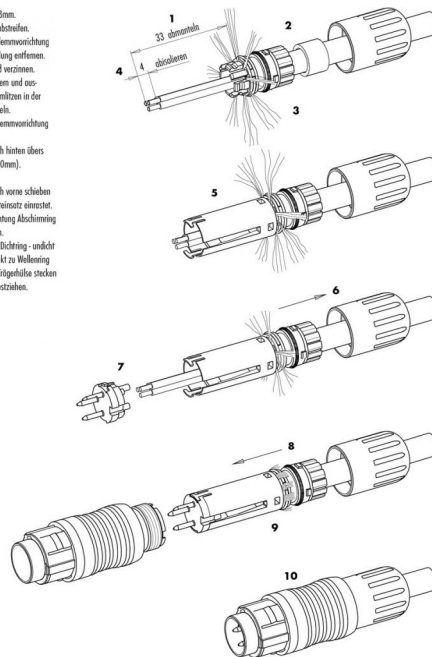
Area **Push-Pull series 440**  
 Article number **99 4817 00 06**

### Sprängskiss



### Installationsinstruktioner / Monteringsutdrag

1. Abmontage auf L = 33mm. Umarmstellung nicht abstellen.
2. Druckschraube und Klemmvorrichtung aufziehen. Umarmstellung entfernen.
3. Litzen abschleifen und verzinnen.
4. Abschirmung aufwickeln und ausklemmen. Die Abschmiltzen in der Krone runden einfilabel.
5. Abstandshülse und Klemmvorrichtung verwechseln.
6. Gesteckte Einheit nach hinten übers Kabel schieben (ca. 10mm).
7. Einätze anlöten.
8. Gesteckte Einheit nach vorne schieben bis sie in den Kombiarmste einrastet.
9. Abschmiltz aus in Richtung Abschirmung abstreifen und kürzen.
- zu lang: Litzen auf Richtung - undicht
- zu kurz: kein Kontakt zu Wellenring
10. Montierte Einheit in Folgehülse stecken und Druckschraube festziehen.



|                |   |
|----------------|---|
| Product        | <b>Push-Pull cable connector, Contacts: 6 DIN, 4.0 - 8.0 mm, shieldable, solder, IP67</b> |
| Area           | <b>Push-Pull series 440</b>   |
| Article number | <b>99 4817 00 06</b>  |

## Security notices

The connector must not be connected or separated under load. Non-observance and incorrect use can result in personal injury.

The connectors are designed for use in plant, control system and electrical equipment. The end user is responsible for checking whether the connectors are suitable for use in other applications.

Connectors used in electrical circuits containing hazardous life parts must only be assembled and used by or under the supervision of persons with the requisite electrotechnical training, taking the applicable regulations and standards into account.

Connectors with degree of protection IP 67 and IP 68 are not suitable for use under water. When used outdoors, the connectors must be separately protected against corrosion. For further information about IP degrees of protection refer to 'Technical support' in the Download Centre.