

Product **Push-Pull cable connector, Contacts: 3 DIN, 4.0 - 8.0 mm, shieldable, solder, IP67**

Area **Push-Pull series 440**
Article number **99 4805 00 03**

Illustration	Ritning	Polbild												
		<table border="1" style="margin-left: 20px;"> <thead> <tr> <th></th> <th>X</th> <th>Y</th> </tr> </thead> <tbody> <tr> <td>1</td> <td>3,50</td> <td>0,00</td> </tr> <tr> <td>2</td> <td>0,00</td> <td>3,50</td> </tr> <tr> <td>3</td> <td>-3,50</td> <td>0,00</td> </tr> </tbody> </table>		X	Y	1	3,50	0,00	2	0,00	3,50	3	-3,50	0,00
	X	Y												
1	3,50	0,00												
2	0,00	3,50												
3	-3,50	0,00												

You can find the item description and assembly instruction on the next page.

Technical data

General features

Kontaktdesign	cable connector
Kontaktionslåsning	Push-Pull
Anslutning	solder
Tvärsnitt (mm)	0.75 mm ²
Tvärsnitt (AWG)	18
Kabeluttag	4.0 - 8.0 mm
Övre gränstemperatur	85 °C
Lägre gränstemperatur	-40 °C
Customs tariff number	85369010

Electrical parameters

Märkström (40°C)	7 A
Märkspänning	250 V
Märkstötspänning	1500 V
Föreoreningsgrad	1
Överspänningskategori	I
Isoleringsmaterialgrupp	III
Resistans	≤ 3 mΩ
Insulation resistance	≥ 10 ¹⁰ Ω
EMV-behörighet	shieldable
Kapslingsklass	IP67
Mekanisk livslängd	> 1000 Mating cycles

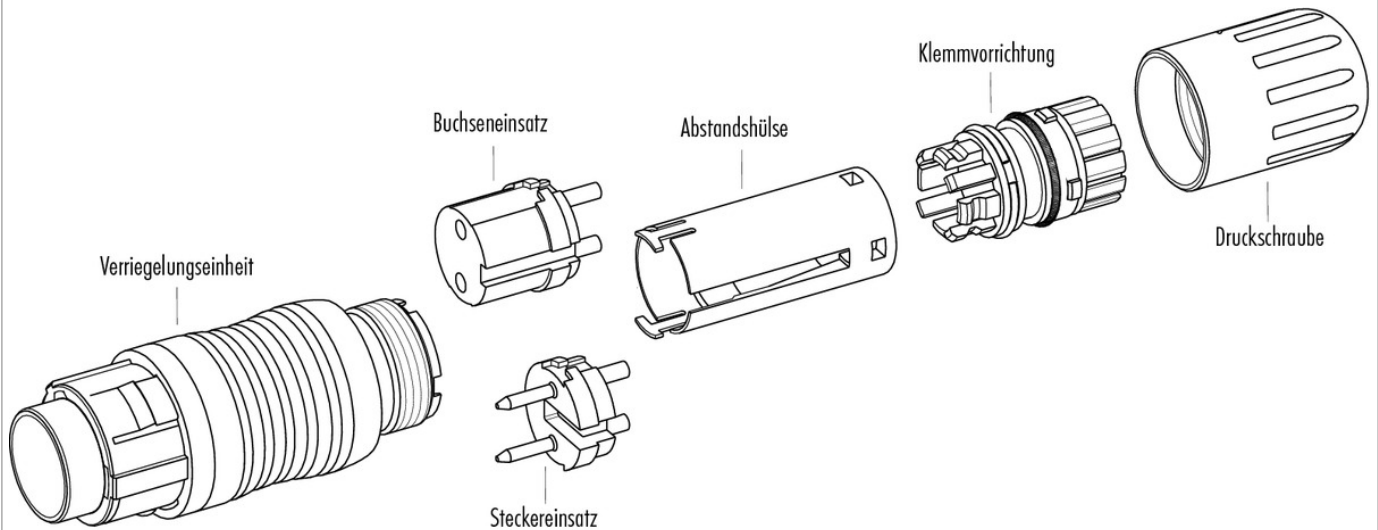
Material

Kontaktmaterial	CuZn (brass)
Kontaktplätering	Au (gold)
Kontaktkroppsmaterial	PBT (UL 94 V-0)
Kontaktthusmaterial	PA GF 25

Product **Push-Pull cable connector, Contacts: 3 DIN, 4.0 - 8.0 mm, shieldable, solder, IP67**

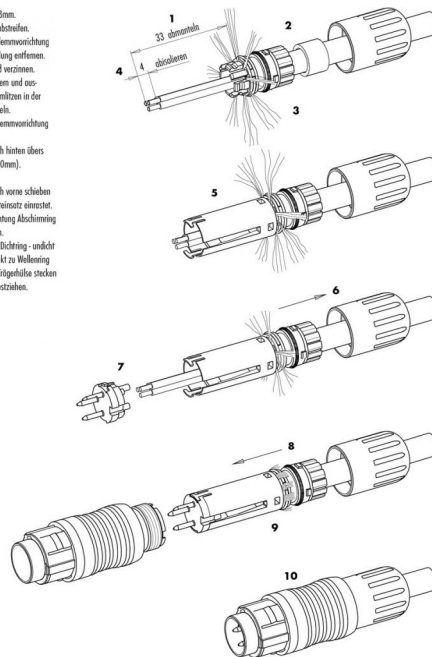
Area **Push-Pull series 440**
 Article number **99 4805 00 03**

Sprängskiss



Installationsinstruktioner / Monteringsutdrag

1. Abmontage auf L = 33mm. Umarmstellung nicht abstellen.
2. Druckschraube und Klemmvorrichtung aufdrehen. Umarmstellung auflockern.
3. Litzen abschneiden und verzinnen.
4. Abschirmung aufwickeln und ausklemmen. Die Abschmiltzen in der Krone runden einfilzeln.
5. Abstandshülse und Klemmvorrichtung verwechseln.
6. Gesteckte Einheit nach hinten übers Kabel schieben (ca. 10mm).
7. Einätze anlöten.
8. Gesteckte Einheit nach vorne schieben bis sie in den Kontaktstecker einrastet.
9. Abschmiltzen in Richtung Abschirmung abstreifen und kürzen.
- zu lang: Litzen auf Richtung - undicht
- zu kurz: kein Kontakt zu Wellenring
10. Montierte Einheit in Folgehülse stecken und Druckschraube festziehen.



Product	Push-Pull cable connector, Contacts: 3 DIN, 4.0 - 8.0 mm, shieldable, solder, IP67
Area	Push-Pull series 440
Article number	99 4805 00 03

Security notices

The connector must not be connected or separated under load. Non-observance and incorrect use can result in personal injury.

The connectors are designed for use in plant, control system and electrical equipment. The end user is responsible for checking whether the connectors are suitable for use in other applications.

Connectors used in electrical circuits containing hazardous life parts must only be assembled and used by or under the supervision of persons with the requisite electrotechnical training, taking the applicable regulations and standards into account.

Connectors with degree of protection IP 67 and IP 68 are not suitable for use under water. When used outdoors, the connectors must be separately protected against corrosion. For further information about IP degrees of protection refer to 'Technical support' in the Download Centre.

The connector is not suitable for mains voltages. Please observe the pollution degrees and the overvoltage category. For further information refer to 'Technical support' in the Download Centre.