

Product **Snap-In IP67 female cable connector, Contacts: 5, 3.0 - 5.0 mm, Shielding is not possible, solder, IP67**
 Area **Snap-In IP67 series 620**
 Article number **99 9214 060 05**

Illustration	Ritning	Polbild																		
		<table border="1" style="margin-left: 20px;"> <thead> <tr> <th></th> <th>X</th> <th>Y</th> </tr> </thead> <tbody> <tr> <td>1</td> <td>-1,23</td> <td>-1,70</td> </tr> <tr> <td>2</td> <td>-2,00</td> <td>0,65</td> </tr> <tr> <td>3</td> <td>0,00</td> <td>2,10</td> </tr> <tr> <td>4</td> <td>2,00</td> <td>0,65</td> </tr> <tr> <td>5</td> <td>1,23</td> <td>-1,70</td> </tr> </tbody> </table>		X	Y	1	-1,23	-1,70	2	-2,00	0,65	3	0,00	2,10	4	2,00	0,65	5	1,23	-1,70
	X	Y																		
1	-1,23	-1,70																		
2	-2,00	0,65																		
3	0,00	2,10																		
4	2,00	0,65																		
5	1,23	-1,70																		

You can find the item description on the next page.

Technical data

General features

Kontaktdesign	female cable connector
Kontaktionslåsning	snap
Anslutning	solder
Tvärsnitt (mm)	0.25 mm ²
Tvärsnitt (AWG)	24
Kabeluttag	3.0 - 5.0 mm
Övre gränstemperatur	85 °C
Lägre gränstemperatur	- 25 °C
Customs tariff number	85369010

Electrical parameters

Märkström (40°C)	2 A
Märkspänning	63 V
Märkstötspänning	800 V
Föroreningsgrad	2
Överspänningskategori	II
Isoleringsmaterialgrupp	II
Resistans	≤ 3 mΩ
Insulation resistance	≥ 10 ¹⁰ Ω
EMV-behörighet	Shielding is not possible
Kapslingsklass	IP67
Mekanisk livslängd	> 500 Mating cycles

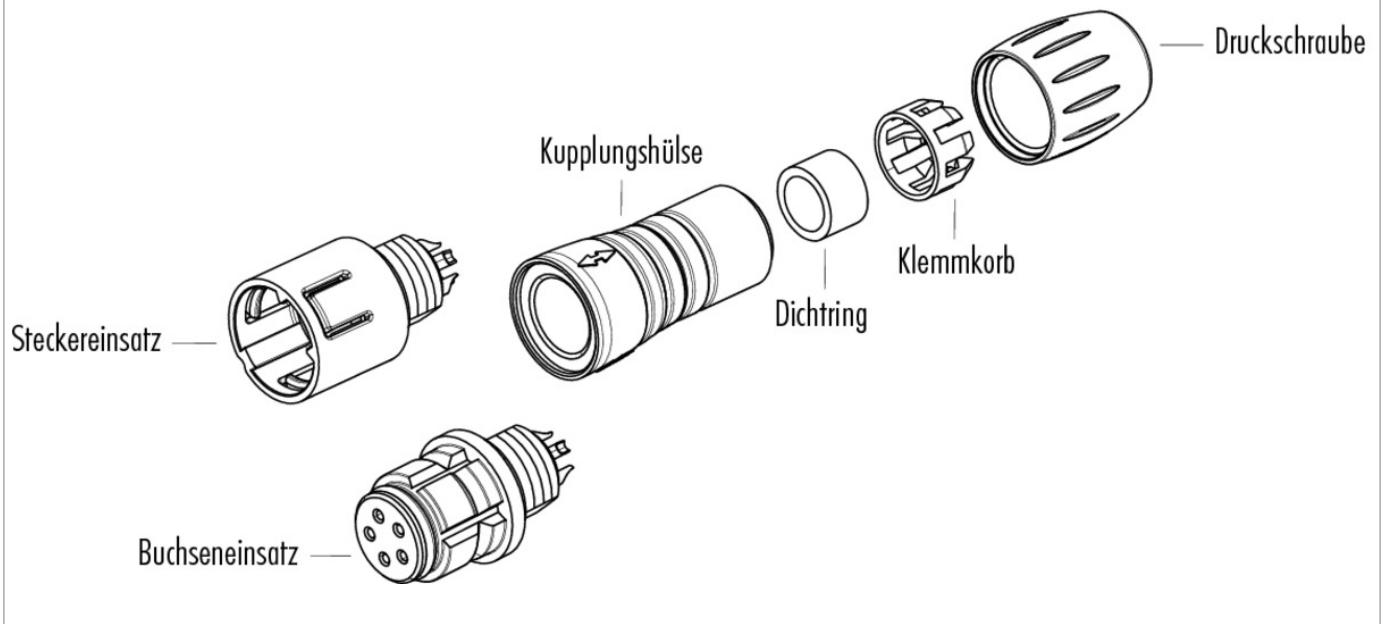
Material

Kontaktmaterial	CuSn (bronce)
Kontaktplätering	Au (gold)
Kontaktkroppsmaterial	PA (UL 94 V-0)
Kontaktusmaterial	PA

Product **Snap-In IP67 female cable connector, Contacts: 5, 3.0 - 5.0 mm, Shielding is not possible, solder, IP67**

Area **Snap-In IP67 series 620**
Article number **99 9214 060 05**

Sprängskiss



Product	Snap-In IP67 female cable connector, Contacts: 5, 3.0 - 5.0 mm, Shielding is not possible, solder, IP67
Area	Snap-In IP67 series 620
Article number	99 9214 060 05

Security notices

The connectors are designed for use in plant, control system and electrical equipment. The end user is responsible for checking whether the connectors are suitable for use in other applications. Connectors with degree of protection IP 67 and IP 68 are not suitable for use under water. When used outdoors, the connectors must be separately protected against corrosion. For further information about IP degrees of protection refer to 'Technical support' in the Download Centre.