

Product **Snap-In IP67 male panel mount connector, Contacts: 3, Shielding is not possible, solder, IP67, VDE**

Area **Snap-In IP67 series 720**  
 Article number **99 9107 00 03**

Illustration	Ritning	Polbild												
		<table border="1" style="margin-left: auto; margin-right: auto;"> <thead> <tr> <th></th> <th>X</th> <th>Y</th> </tr> </thead> <tbody> <tr> <td>1</td> <td>-2,43</td> <td>-1,40</td> </tr> <tr> <td>2</td> <td>2,43</td> <td>-1,40</td> </tr> <tr> <td>3</td> <td>0,00</td> <td>2,80</td> </tr> </tbody> </table>		X	Y	1	-2,43	-1,40	2	2,43	-1,40	3	0,00	2,80
	X	Y												
1	-2,43	-1,40												
2	2,43	-1,40												
3	0,00	2,80												

You can find the item description and assembly instruction on the next page.

## Technical data

### General features

Kontaktdesign	male panel mount connector
Kontaktionslösning	snap
Anslutning	solder
Tvärsnitt (mm)	0.75 mm <sup>2</sup>
Tvärsnitt (AWG)	18
Övre gränstemperatur	85 °C
Lägre gränstemperatur	- 25 °C
Customs tariff number	85369010

### Cable data

Godkännande 1	VDE
---------------	-----

### Electrical parameters

Märkström (40°C)	7 A
Märkspänning	250 V
Märkstötspänning	2500 V
Föroreningsgrad	2
Överspänningskategori	II
Isoleringsmaterialgrupp	II
Resistans	≤ 3 mΩ
Insulation resistance	≥ 10 <sup>10</sup> Ω
EMV-behörighet	Shielding is not possible
Kapslingsklass	IP67
Mekanisk livslängd	> 500 Mating cycles

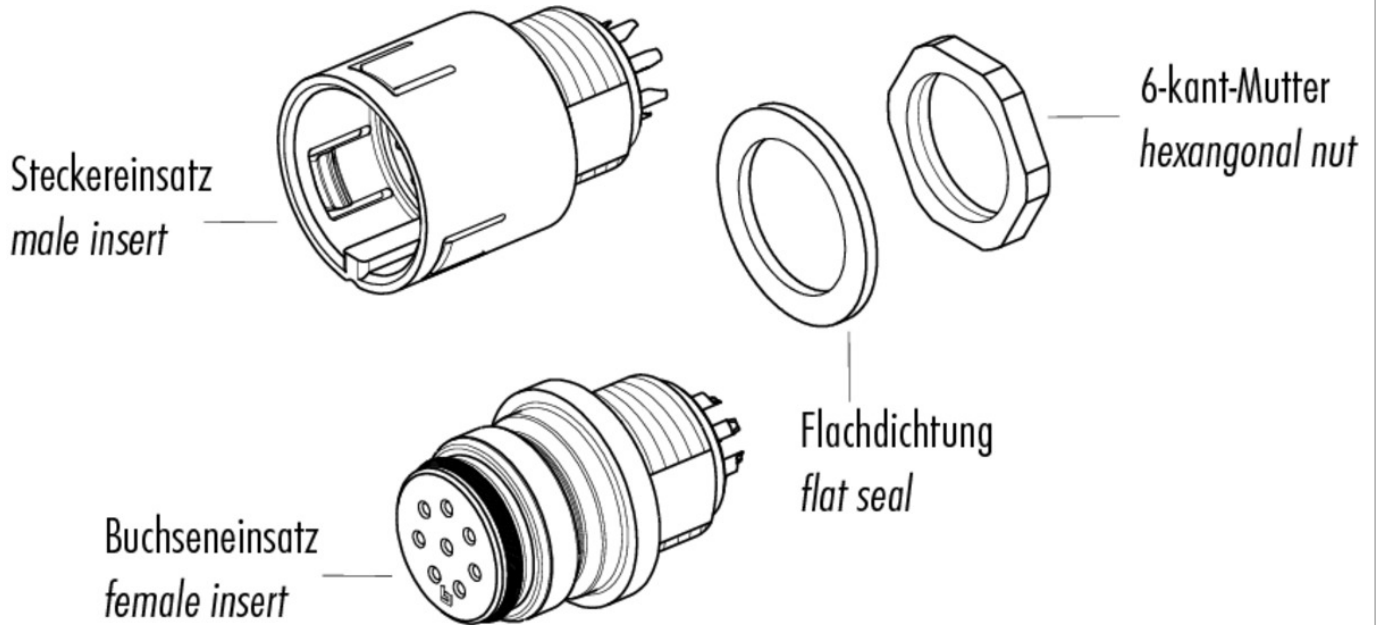
### Material

Kontaktmaterial	CuZn (brass)
Kontaktplätning	Au (gold)
Kontaktkroppsmaterial	PA (UL 94 V-0)
Kontakthusmaterial	PA

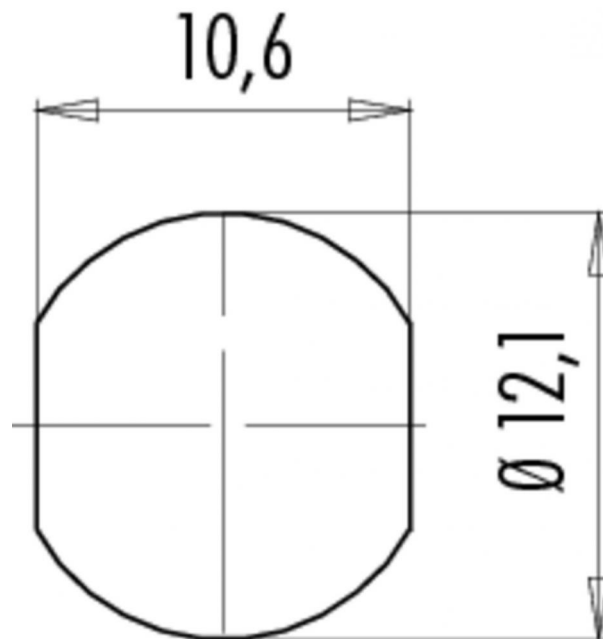
Product Snap-In IP67 male panel mount connector, Contacts: 3, Shielding is not possible, solder, IP67, VDE

Area Snap-In IP67 series 720  
Article number 99 9107 00 03

Sprängskiss



Installationsinstruktioner / Monteringsutdrag



Product	<b>Snap-In IP67 male panel mount connector, Contacts: 3, Shielding is not possible, solder, IP67, VDE</b>
Area	<b>Snap-In IP67 series 720</b>
Article number	<b>99 9107 00 03</b>

## Security notices

The connector must not be connected or separated under load. Non-observance and incorrect use can result in personal injury.

The connectors are designed for use in plant, control system and electrical equipment. The end user is responsible for checking whether the connectors are suitable for use in other applications.

Connectors with degree of protection IP 67 and IP 68 are not suitable for use under water. When used outdoors, the connectors must be separately protected against corrosion. For further information about IP degrees of protection refer to 'Technical support' in the Download Centre.