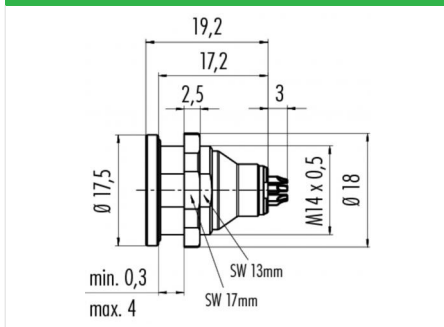


Product **Push-Pull female panel mount connector, Contacts: 8, shieldable, solder, IP67**
 Area **Push-Pull series 430**
 Article number **09 4932 00 08**

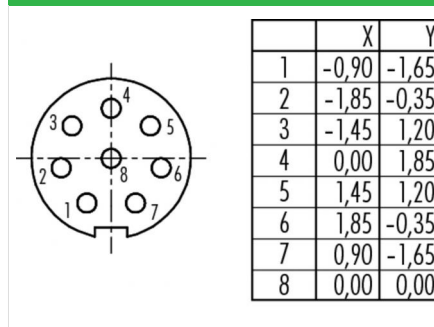
Illustration



Ritning



Polbild



You can find the item description and assembly instruction on the next page.

Technical data

General features

Kontaktdesign female panel mount connector
 Kontaktdonslösning Push-Pull
 Anslutning solder
 Tvärsnitt (mm) 0.14 mm²
 Tvärsnitt (AWG) 26
 Övre gränstemperatur 85 °C
 Lägre gränstemperatur - 40 °C
 Customs tariff number 85369010

Electrical parameters

Märkström (40°C) 1 A
 Märkspänning 125 V
 Märkstötsspänning 1500 V
 Föroreningsgrad 2
 Överspänningskategori I
 Isoleringsmaterialgrupp II
 Resistans ≤ 5 mΩ
 EMV-behörighet shieldable
 Kapslingsklass IP67
 Mekanisk livslängd > 500 Mating cycles

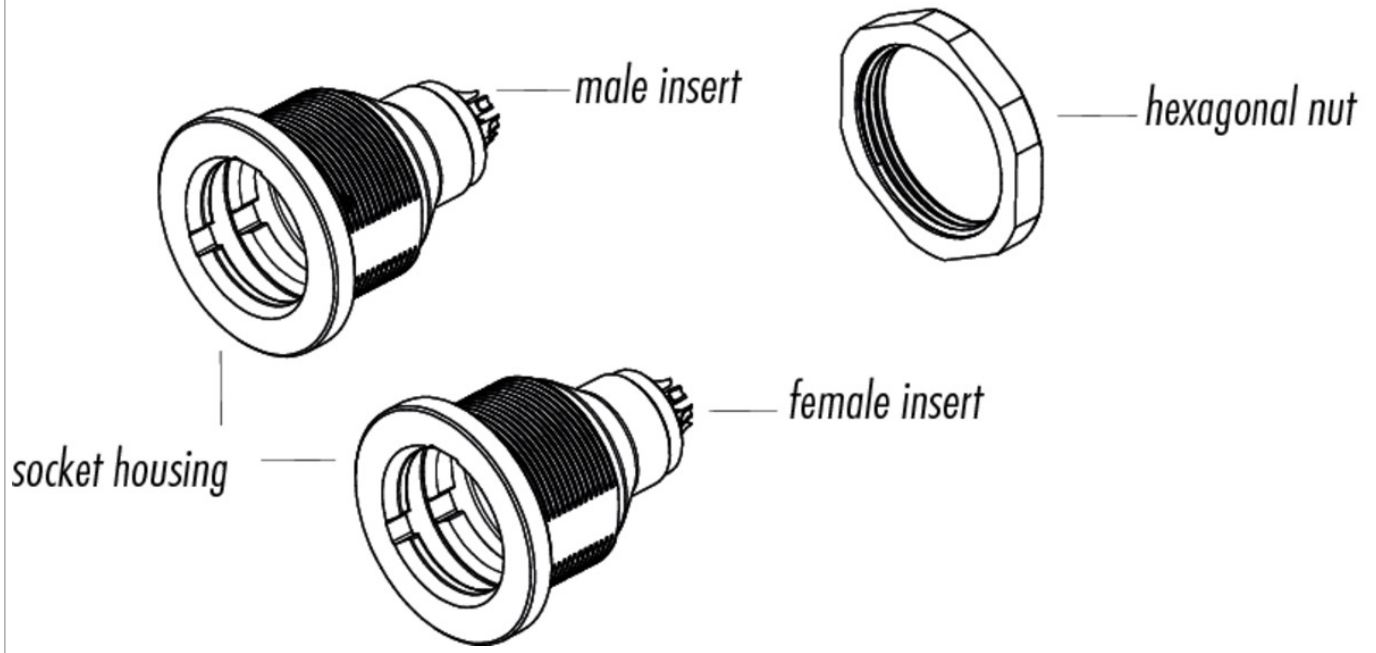
Material

Kontaktmaterial CuSn (bronze)
 Kontaktplätning Au (gold)
 Kontaktkroppsmaterial PBT, PA

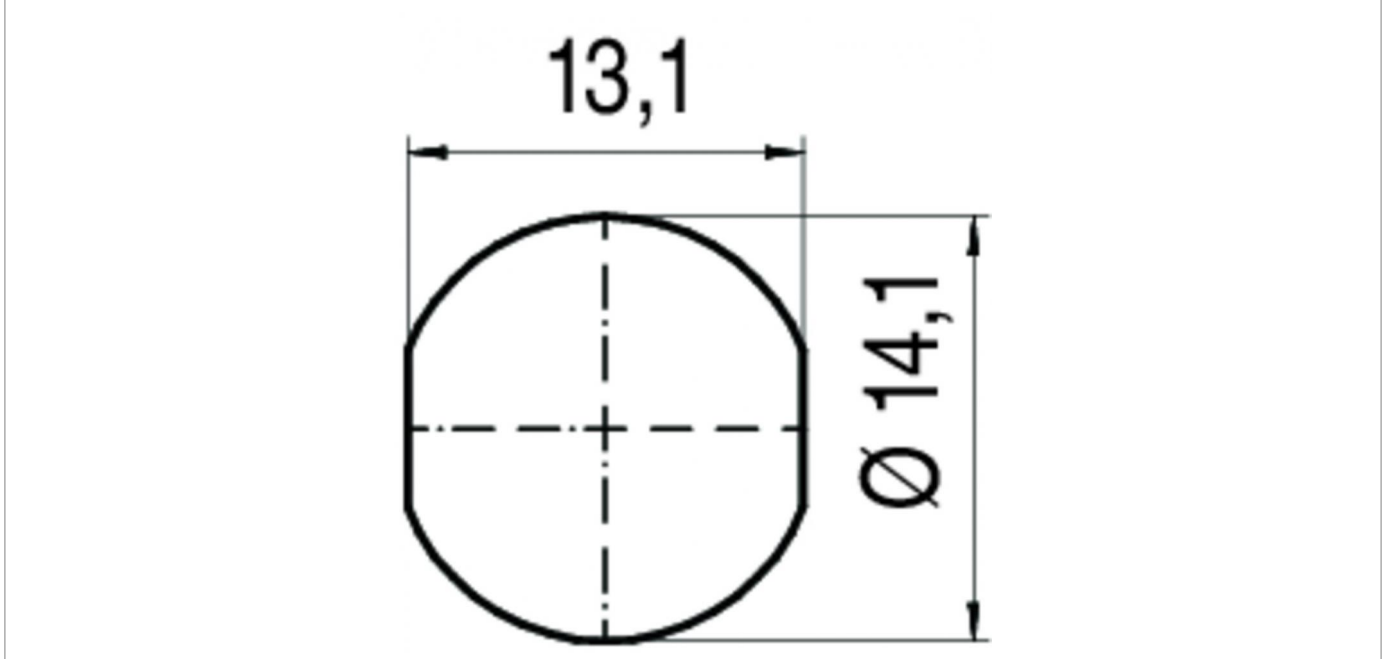
Product **Push-Pull female panel mount connector, Contacts: 8, shieldable, solder, IP67**

Area **Push-Pull series 430**
Article number **09 4932 00 08**

Sprängskiss



Installationsinstruktioner / Monteringsutdrag



Product	Push-Pull female panel mount connector, Contacts: 8, shieldable, solder, IP67
Area	Push-Pull series 430
Article number	09 4932 00 08

Security notices

The connector must not be connected or separated under load. Non-observance and incorrect use can result in personal injury.

The connectors are designed for use in plant, control system and electrical equipment. The end user is responsible for checking whether the connectors are suitable for use in other applications.

Connectors used in electrical circuits containing hazardous life parts must only be assembled and used by or under the supervision of persons with the requisite electrotechnical training, taking the applicable regulations and standards into account.

Connectors with degree of protection IP 67 and IP 68 are not suitable for use under water. When used outdoors, the connectors must be separately protected against corrosion. For further information about IP degrees of protection refer to 'Technical support' in the Download Centre.