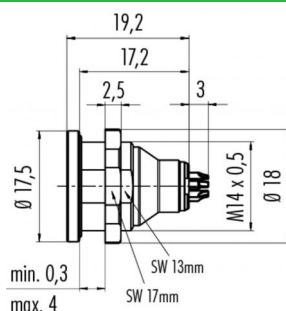


Product **Push-Pull female panel mount connector, Contacts: 7, shieldable, solder, IP67**  
 Area **Push-Pull series 430**  
 Article number **09 4928 00 07**

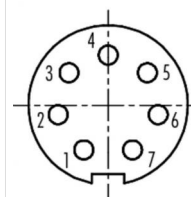
### Illustration



### Ritning



### Polbild



	X	Y
1	0,90	-1,65
2	1,85	-0,35
3	1,45	1,20
4	0,00	1,85
5	-1,45	1,20
6	-1,85	-0,35
7	-0,90	-1,65

You can find the item description and assembly instruction on the next page.

## Technical data

### General features

Kontaktdesign female panel mount connector  
 Kontaktdonslösning Push-Pull  
 Anslutning solder  
 Tvärsnitt (mm) 0.14 mm<sup>2</sup>  
 Tvärsnitt (AWG) 26  
 Övre gränstemperatur 85 °C  
 Lägre gränstemperatur - 40 °C  
 Customs tariff number 85369010

### Electrical parameters

Märkström (40°C) 1 A  
 Märkspänning 125 V  
 Märkstötsspänning 1500 V  
 Föroreningsgrad 2  
 Överspänningskategori I  
 Isolermaterialgrupp II  
 Resistans ≤ 5 mΩ  
 EMV-behörighet shieldable  
 Kapslingsklass IP67  
 Mekanisk livslängd > 500 Mating cycles

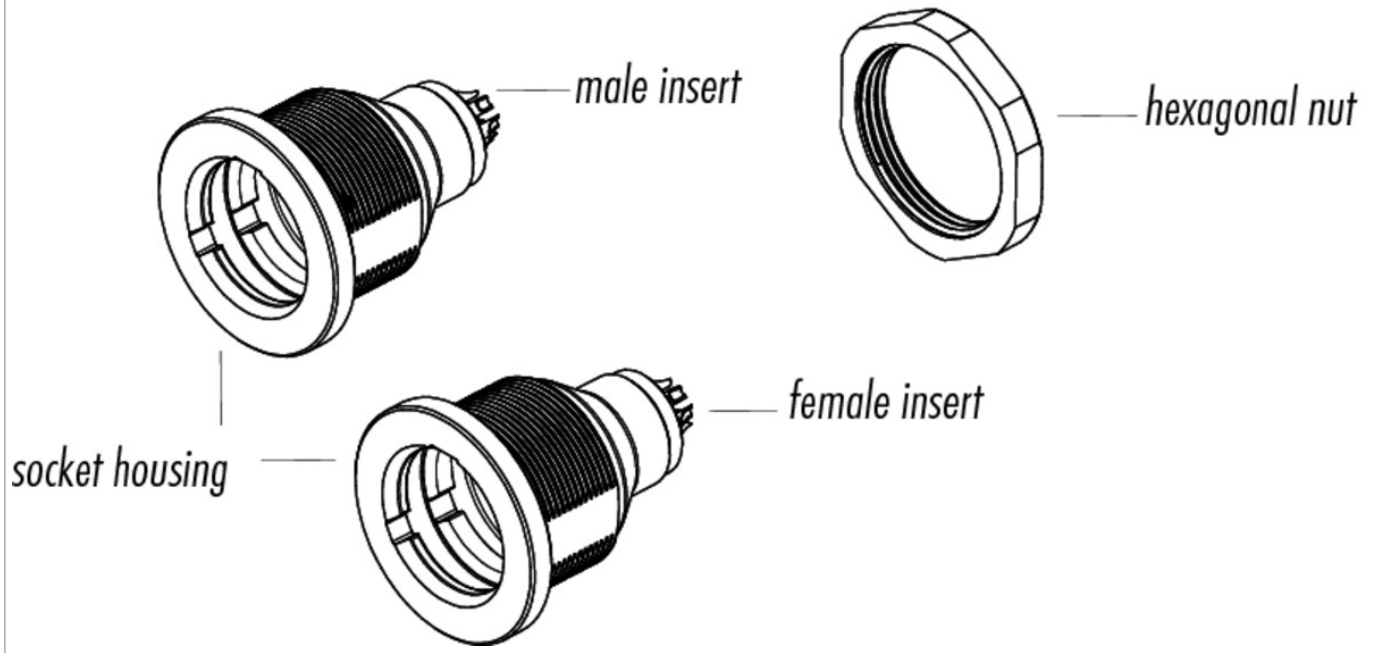
### Material

Kontaktmaterial CuSn (bronze)  
 Kontaktplätering Au (gold)  
 Kontaktkroppsmaterial PBT, PA

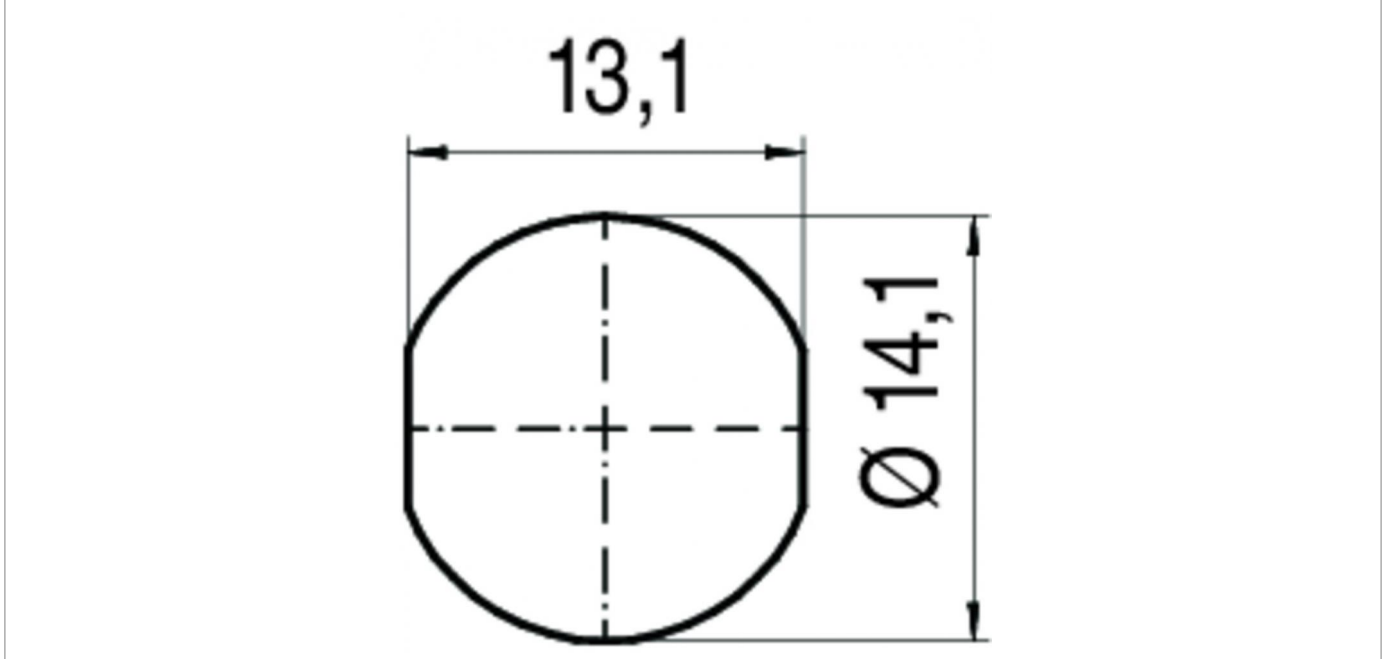
Product **Push-Pull female panel mount connector, Contacts: 7, shieldable, solder, IP67**

Area **Push-Pull series 430**  
Article number **09 4928 00 07**

Sprängskiss



Installationsinstruktioner / Monteringsutdrag



Product	<b>Push-Pull female panel mount connector, Contacts: 7, shieldable, solder, IP67</b>
Area	<b>Push-Pull series 430</b>
Article number	<b>09 4928 00 07</b>

## Security notices

The connector must not be connected or separated under load. Non-observance and incorrect use can result in personal injury.

The connectors are designed for use in plant, control system and electrical equipment. The end user is responsible for checking whether the connectors are suitable for use in other applications.

Connectors used in electrical circuits containing hazardous life parts must only be assembled and used by or under the supervision of persons with the requisite electrotechnical training, taking the applicable regulations and standards into account.

Connectors with degree of protection IP 67 and IP 68 are not suitable for use under water. When used outdoors, the connectors must be separately protected against corrosion. For further information about IP degrees of protection refer to 'Technical support' in the Download Centre.