

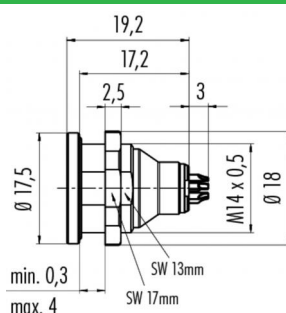
Product **Push-Pull female panel mount connector, Contacts: 5, shieldable, solder, IP67**

Area **Push-Pull series 430**
Article number **09 4916 00 05**

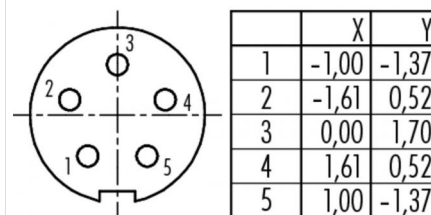
Illustration



Ritning



Polbild



You can find the item description and assembly instruction on the next page.

Technical data

General features

Kontaktdesign	female panel mount connector
Kontaktionslösning	Push-Pull
Anslutning	solder
Tvärsnitt (mm)	0.25 mm ²
Tvärsnitt (AWG)	24
Övre gränstemperatur	85 °C
Lägre gränstemperatur	- 40 °C
Customs tariff number	85369010

Electrical parameters

Märkström (40°C)	3 A
Märkspänning	125 V
Märkstötsspänning	1500 V
Föroreningsgrad	2
Överspanningskategori	I
Isoleringsmaterialgrupp	II
Resistans	≤ 5 mΩ
EMV-behörighet	shieldable
Kapslingsklass	IP67
Mekanisk livslängd	> 500 Mating cycles

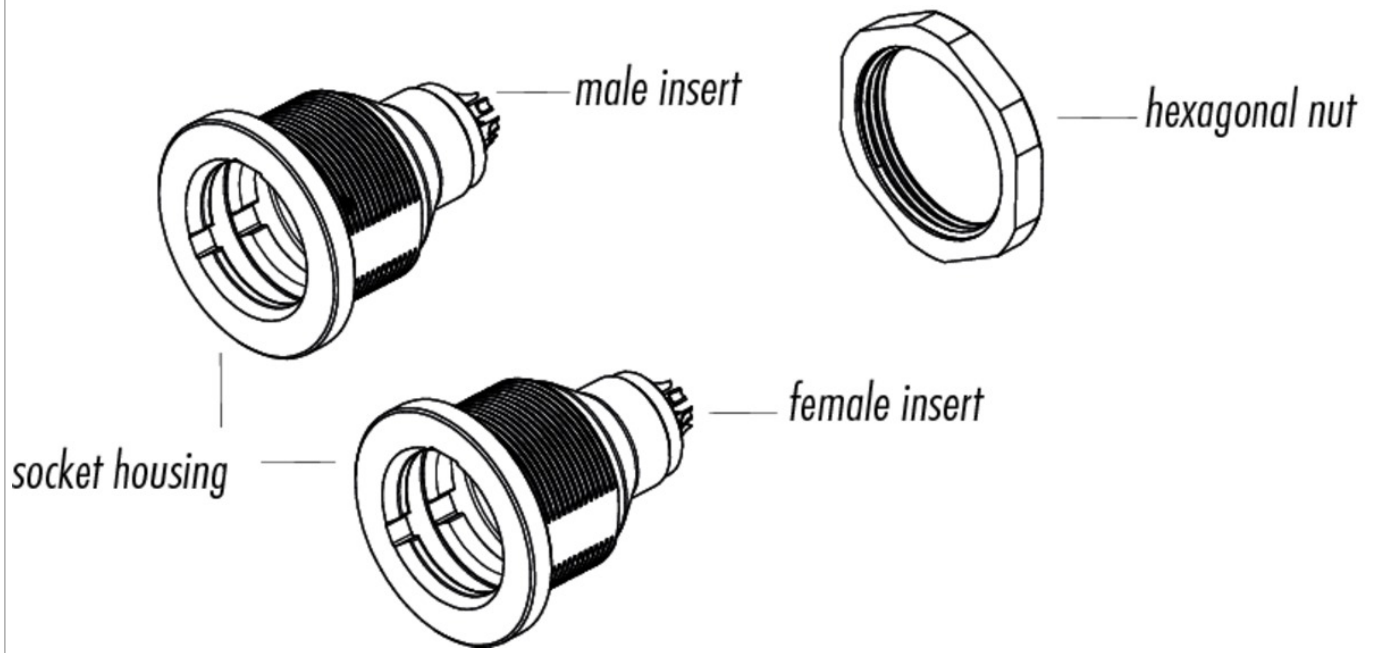
Material

Kontaktmaterial	CuSn (bronze)
Kontaktplätering	Au (gold)
Kontaktkroppsmaterial	PBT, PA

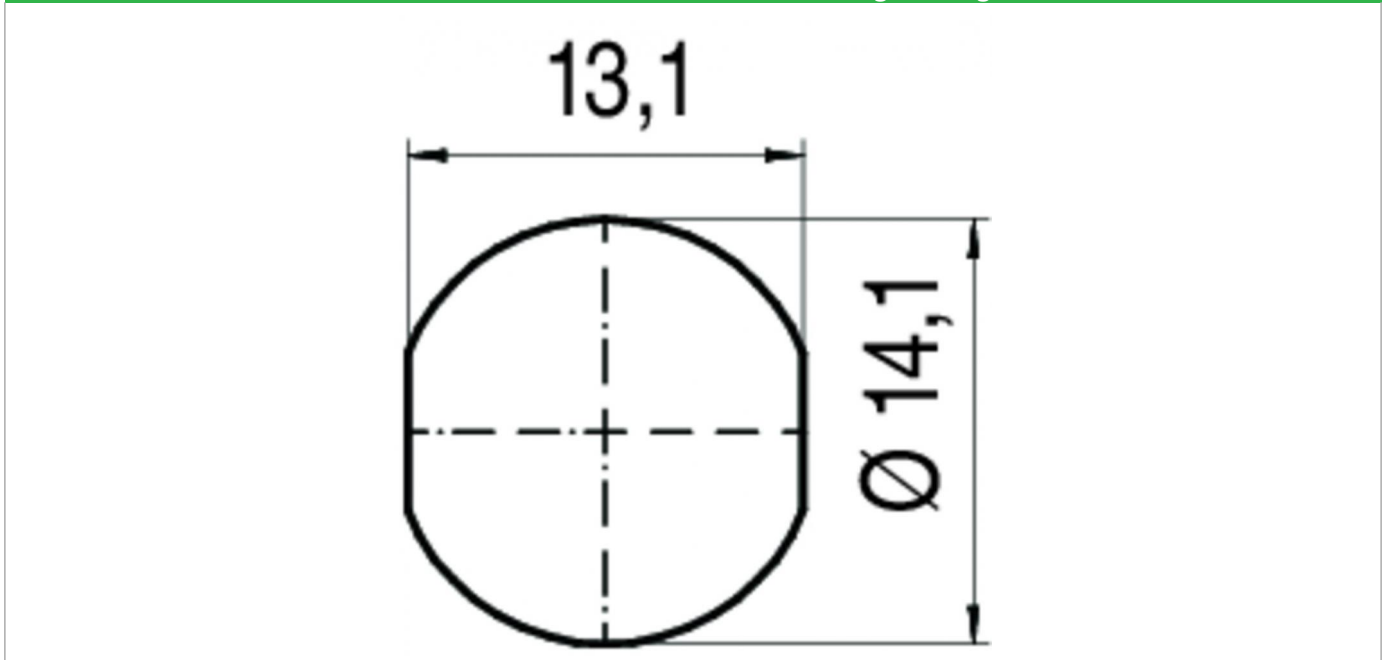
Product **Push-Pull female panel mount connector, Contacts: 5, shieldable, solder, IP67**

Area **Push-Pull series 430**
Article number **09 4916 00 05**

Sprängskiss



Installationsinstruktioner / Monteringsutdrag



Product	Push-Pull female panel mount connector, Contacts: 5, shieldable, solder, IP67
Area	Push-Pull series 430
Article number	09 4916 00 05

Security notices

The connector must not be connected or separated under load. Non-observance and incorrect use can result in personal injury.

The connectors are designed for use in plant, control system and electrical equipment. The end user is responsible for checking whether the connectors are suitable for use in other applications.

Connectors used in electrical circuits containing hazardous life parts must only be assembled and used by or under the supervision of persons with the requisite electrotechnical training, taking the applicable regulations and standards into account.

Connectors with degree of protection IP 67 and IP 68 are not suitable for use under water. When used outdoors, the connectors must be separately protected against corrosion. For further information about IP degrees of protection refer to 'Technical support' in the Download Centre.