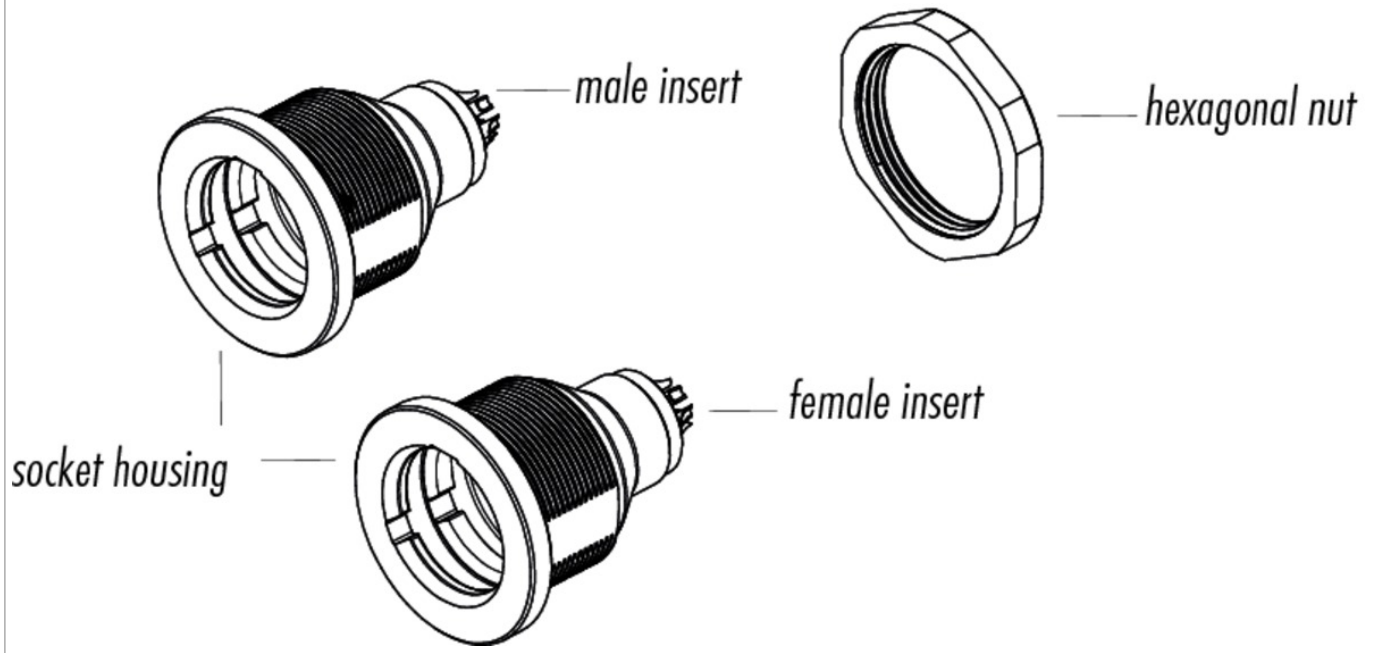




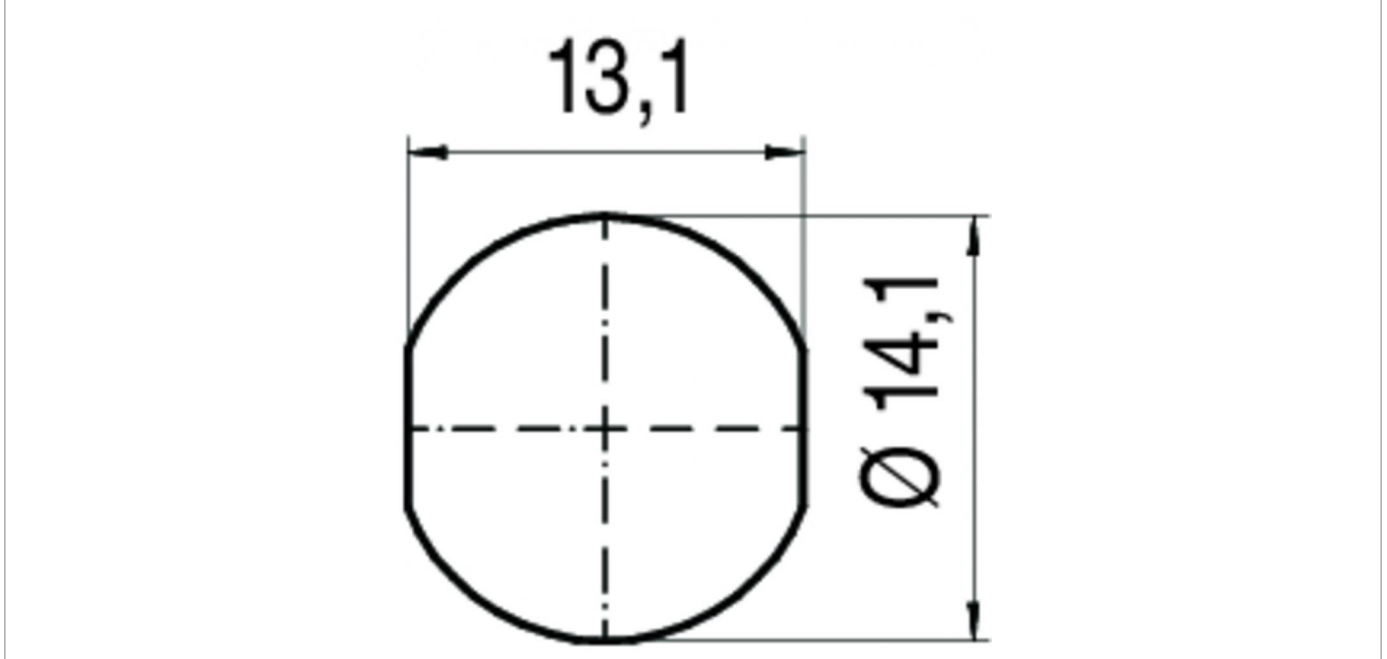
Product **Push-Pull female panel mount connector, Contacts: 4, shieldable, solder, IP67**

Area **Push-Pull series 430**  
Article number **09 4912 00 04**

Sprängskiss



Installationsinstruktioner / Monteringsutdrag



Product	<b>Push-Pull female panel mount connector, Contacts: 4, shieldable, solder, IP67</b>
Area	<b>Push-Pull series 430</b>
Article number	<b>09 4912 00 04</b>

## Security notices

The connector must not be connected or separated under load. Non-observance and incorrect use can result in personal injury.

The connectors are designed for use in plant, control system and electrical equipment. The end user is responsible for checking whether the connectors are suitable for use in other applications.

Connectors used in electrical circuits containing hazardous life parts must only be assembled and used by or under the supervision of persons with the requisite electrotechnical training, taking the applicable regulations and standards into account.

Connectors with degree of protection IP 67 and IP 68 are not suitable for use under water. When used outdoors, the connectors must be separately protected against corrosion. For further information about IP degrees of protection refer to 'Technical support' in the Download Centre.