

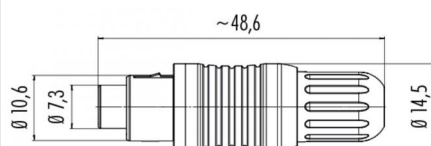
Product **Push-Pull cable connector, Contacts: 3, 3.5 - 5.0 mm, shieldable, solder, IP67**

Area **Push-Pull series 430**
Article number **99 4905 00 03**

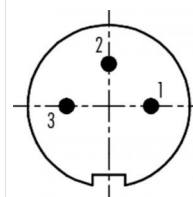
Illustration



Ritning



Polbild



	X	Y
1	1,55	0,00
2	0,00	1,55
3	-1,55	0,00

You can find the item description and assembly instruction on the next page.

Technical data

General features

Kontaktdesign	cable connector
Kontaktionslösning	Push-Pull
Anslutning	solder
Tvärsnitt (mm)	0.25 mm ²
Tvärsnitt (AWG)	24
Kabeluttag	3.5 - 5.0 mm
Övre gränstemperatur	85 °C
Lägre gränstemperatur	- 40 °C
Customs tariff number	85369010

Electrical parameters

Märkström (40°C)	4 A
Märkspänning	125 V
Märkstötspänning	1500 V
Föreoreningsgrad	2
Överspanningskategori	I
Isoleringsmaterialgrupp	II
Resistans	≤ 5 mΩ
EMV-behörighet	shieldable
Kapslingsklass	IP67
Mekanisk livslängd	> 500 Mating cycles

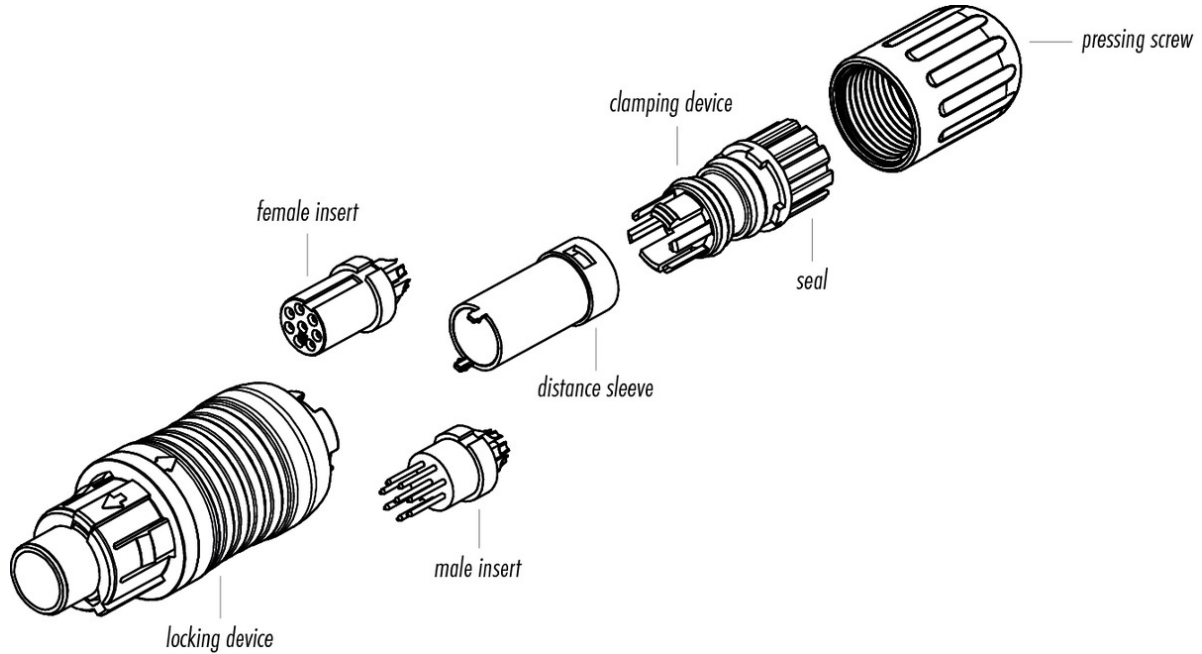
Material

Kontaktmaterial	CuZn (brass)
Kontaktplätning	Au (gold)
Kontaktkroppsmaterial	PBT, PA
Kontaktthusmaterial	PA

Product **Push-Pull cable connector, Contacts: 3, 3.5 - 5.0 mm, shieldable, solder, IP67**

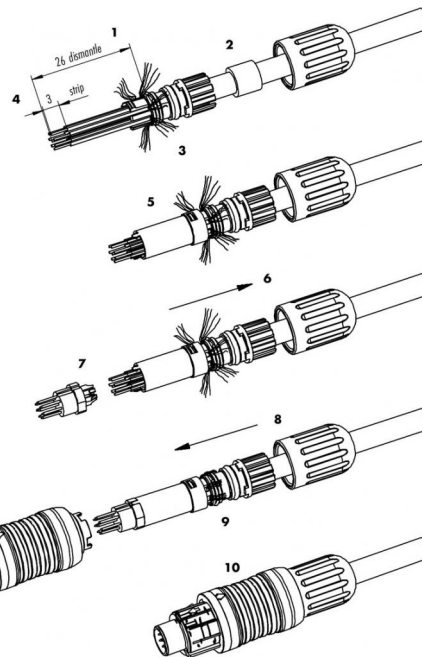
Area **Push-Pull series 430**
Article number **99 4905 00 03**

Sprängskiss



Installationsinstruktioner / Monteringsutdrag

1. Strip to 26mm length but do not take off cable jacket.
2. Bend pressing screw and clamp device to cable. Mount sealing ring to clamp device. Remove cable jacket.
3. Fan out and comb shielding braid.
4. Strip the insulation off the wires and tin them.
5. Snap in distance sleeve and clamp device.
6. Solder wires to solder cups.
7. Stick distance sleeve to sleeve.
8. Push forward and snap to clamp device. Mount shielding braid around the crown.
9. Strip off and shorten shielding braid in the direction of the shielding ring.
too long: shielding braid on sealing ring - unright
too short: no contact to wave washer
10. Stick assembled unit into carrier sleeve and tighten pressing screw.



Product	Push-Pull cable connector, Contacts: 3, 3.5 - 5.0 mm, shieldable, solder, IP67
Area	Push-Pull series 430
Article number	99 4905 00 03

Security notices

The connector must not be connected or separated under load. Non-observance and incorrect use can result in personal injury.

The connectors are designed for use in plant, control system and electrical equipment. The end user is responsible for checking whether the connectors are suitable for use in other applications.

Connectors used in electrical circuits containing hazardous life parts must only be assembled and used by or under the supervision of persons with the requisite electrotechnical training, taking the applicable regulations and standards into account.

Connectors with degree of protection IP 67 and IP 68 are not suitable for use under water. When used outdoors, the connectors must be separately protected against corrosion. For further information about IP degrees of protection refer to 'Technical support' in the Download Centre.