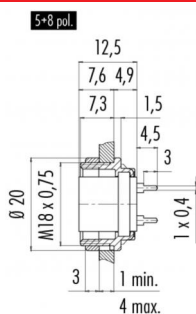


Product **M16 IP40 female panel mount connector, Contacts: 5 (stereo), Shielding is not possible, dip-solder, IP40**  
 Area **M16 IP40 series 680**  
 Article number **09 0320 99 05**

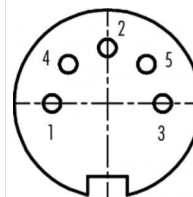
**Illustration**



**Ritning**



**Polbild**



	X	Y
1	-3,50	0,00
2	0,00	3,50
3	3,50	0,00
4	-2,47	2,47
5	2,47	2,47

You can find the assembly instruction on the next page.

**Technical data**

**General features**

Kontaktdesign female panel mount connector  
 Kontaktdonslåsning screw  
 Anslutning dip-solder  
 Övre gränstemperatur 85 °C  
 Lägre gränstemperatur - 40 °C  
 Customs tariff number 85369010

**Electrical parameters**

Märkström (40°C) 6 A  
 Märkspänning 60 V  
 Märksstötspänning 500 V  
 Föroreningsgrad 1  
 Överspanningskategori I  
 Isoleringsmaterialgrupp III  
 Resistans ≤ 3 mΩ  
 Insulation resistance ≥ 10<sup>10</sup> Ω  
 EMV-behörighet Shielding is not possible  
 Kapslingsklass IP40  
 Mekanisk livslängd > 500 Mating cycles

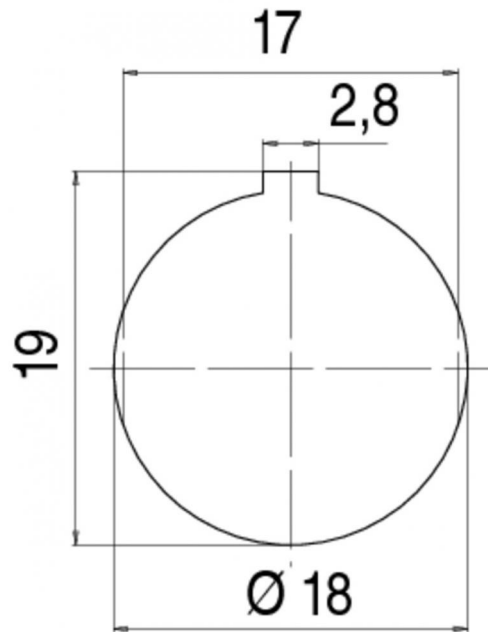
**Material**

Kontaktmaterial CuSn (bronze)  
 Kontaktplätering Au (gold)  
 Kontaktkroppsmaterial PBT (UL 94 V-0)  
 Kontakthusmaterial Zinc die-cast nickel-plated

Product **M16 IP40 female panel mount connector, Contacts: 5 (stereo), Shielding is not possible, dip-solder, IP40**

Area **M16 IP40 series 680**  
Article number **09 0320 99 05**

Installationsinstruktioner / Monteringsutdrag



Product	<b>M16 IP40 female panel mount connector, Contacts: 5 (stereo), Shielding is not possible, dip-solder, IP40</b>
Area	<b>M16 IP40 series 680</b>
Article number	<b>09 0320 99 05</b>

## Security notices

The connectors are designed for use in plant, control system and electrical equipment. The end user is responsible for checking whether the connectors are suitable for use in other applications.