

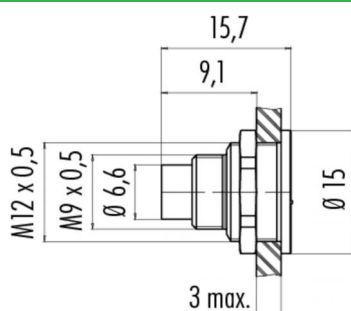
Product **M9 IP67 male panel mount connector, Contacts: 3, shieldable, solder, IP67**

Area **M9 IP67 series 712**
Article number **09 0407 80 03**

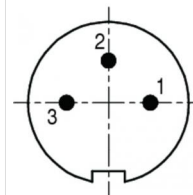
Illustration



Ritning



Polbild



	X	Y
1	1,55	0,00
2	0,00	1,55
3	-1,55	0,00

You can find the assembly instruction on the next page.

Technical data

General features

Kontaktdesign	male panel mount connector
Kontaktionslåsning	screw
Anslutning	solder
Tvärsnitt (mm)	0.25 mm ²
Tvärsnitt (AWG)	24
Övre gränstemperatur	85 °C
Lägre gränstemperatur	- 40 °C
Customs tariff number	85369010

Electrical parameters

Märkström (40°C)	4 A
Märkspänning	125 V
Märkstötspänning	1500 V
Föroreningsgrad	1
Överspanningskategori	II
Isoleringsmaterialgrupp	III
Resistans	≤ 3 mΩ
Insulation resistance	≥ 10 ¹⁰ Ω
EMV-behörighet	shieldable
Kapslingsklass	IP67
Mekanisk livslängd	> 500 Mating cycles

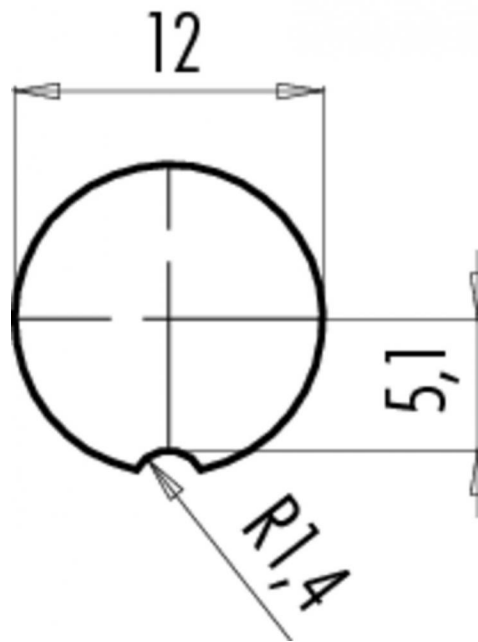
Material

Kontaktmaterial	CuZn (brass)
Kontaktplätering	Au (gold)
Kontaktroppsmaterial	PA (UL 94 V-0)

Product **M9 IP67 male panel mount connector, Contacts: 3, shieldable, solder, IP67**

Area **M9 IP67 series 712**
Article number **09 0407 80 03**

Installationsinstruktioner / Monteringsutdrag



Product	M9 IP67 male panel mount connector, Contacts: 3, shieldable, solder, IP67
Area	M9 IP67 series 712
Article number	09 0407 80 03

Security notices

The connector must not be connected or separated under load. Non-observance and incorrect use can result in personal injury.

The connectors are designed for use in plant, control system and electrical equipment. The end user is responsible for checking whether the connectors are suitable for use in other applications.

Connectors with degree of protection IP 67 and IP 68 are not suitable for use under water. When used outdoors, the connectors must be separately protected against corrosion. For further information about IP degrees of protection refer to 'Technical support' in the Download Centre.