

Product **M12-A cable connector, Contacts: 8, 5.0 - 8.0 mm, shieldable, screw clamp, IP67, UL**
 Area **M12-A series 713**
 Article number **99 1489 814 08**

Illustration	Ritning	Polbild																											
		<table border="1" style="margin-left: auto; margin-right: auto;"> <thead> <tr> <th></th> <th>X</th> <th>Y</th> </tr> </thead> <tbody> <tr><td>1</td><td>2,69</td><td>0,57</td></tr> <tr><td>2</td><td>0,57</td><td>2,69</td></tr> <tr><td>3</td><td>-1,66</td><td>2,20</td></tr> <tr><td>4</td><td>-2,75</td><td>0,19</td></tr> <tr><td>5</td><td>-1,94</td><td>-1,94</td></tr> <tr><td>6</td><td>0,19</td><td>-2,74</td></tr> <tr><td>7</td><td>2,20</td><td>-1,65</td></tr> <tr><td>8</td><td>0,00</td><td>0,00</td></tr> </tbody> </table>		X	Y	1	2,69	0,57	2	0,57	2,69	3	-1,66	2,20	4	-2,75	0,19	5	-1,94	-1,94	6	0,19	-2,74	7	2,20	-1,65	8	0,00	0,00
	X	Y																											
1	2,69	0,57																											
2	0,57	2,69																											
3	-1,66	2,20																											
4	-2,75	0,19																											
5	-1,94	-1,94																											
6	0,19	-2,74																											
7	2,20	-1,65																											
8	0,00	0,00																											

You can find the item description and assembly instruction on the next page.

Technical data

General features

Kontaktdesign	cable connector
Kontaktionslåsning	screw
Anslutning	screw clamp
Tvärsnitt (mm)	0.50 mm ²
Tvärsnitt (AWG)	20
Kabeluttag	5.0 - 8.0 mm
Övre gränstemperatur	85 °C
Lägre gränstemperatur	-40 °C
Customs tariff number	85369010

Cable data

Godkännande 1	UL
---------------	----

Electrical parameters

Märkström (40°C)	1,5 A (2 A UL)
Märkspänning	30 V
Märkstötspänning	800 V
Föreoreningsgrad	3
Överspanningskategori	II
Isoleringsmaterialgrupp	III
Resistans	≤ 3 mΩ
Insulation resistance	> 10 ⁸ Ω
EMV-behörighet	shieldable
Kapslingsklass	IP67
Mekanisk livslängd	> 100 Mating cycles

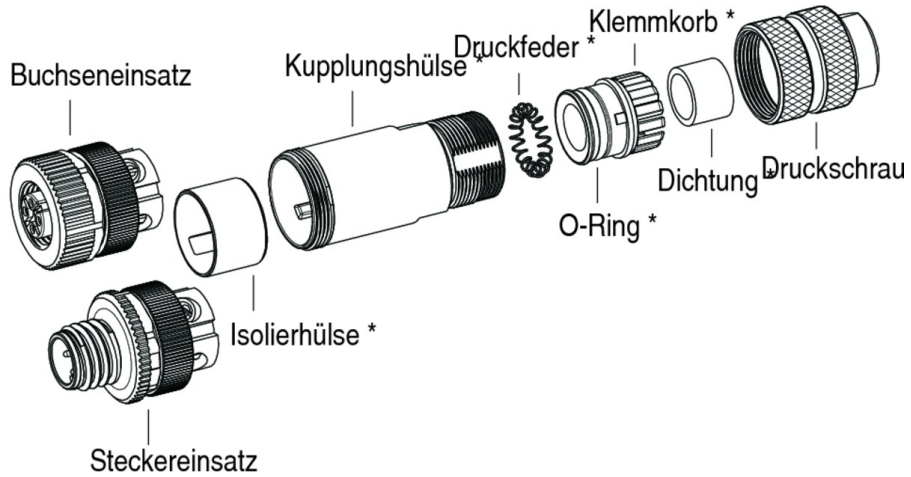
Material

Kontaktmaterial	CuZn (brass)
Kontaktplätering	Au (gold)
Kontaktroppsmaterial	PA
Kontaktthusmaterial	Zinc die-cast nickel-plated

Product **M12-A cable connector, Contacts: 8, 5.0 - 8.0 mm, shieldable, screw clamp, IP67, UL**

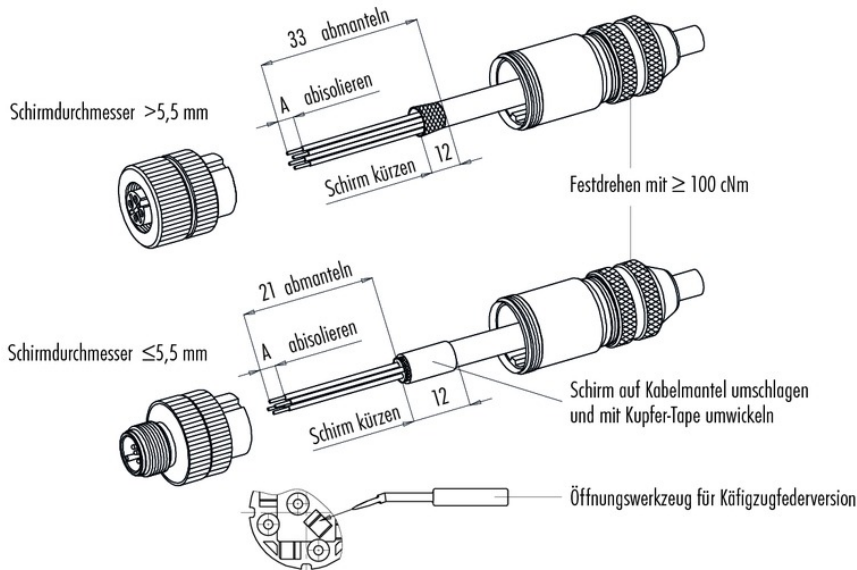
Area **M12-A series 713**
 Article number **99 1489 814 08**

Sprängskiss



* Teile vormontiert

Installationsinstruktioner / Monteringsutdrag



	Schraubklemmversion	Käfigzugfederversion
Maß A/mm	5	7

Product	M12-A cable connector, Contacts: 8, 5.0 - 8.0 mm, shieldable, screw clamp, IP67, UL
Area	M12-A series 713
Article number	99 1489 814 08

Security notices

The connectors are designed for use in plant, control system and electrical equipment. The end user is responsible for checking whether the connectors are suitable for use in other applications.

Connectors with degree of protection IP 67 and IP 68 are not suitable for use under water. When used outdoors, the connectors must be separately protected against corrosion. For further information about IP degrees of protection refer to 'Technical support' in the Download Centre.

To lock the cable connector to the equipment connector, the threaded ring is tightened until it is 'finger-tight' (approx. 50 cNm).