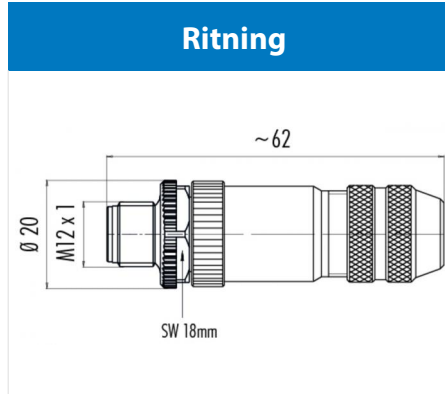


Product **M12-A cable connector, Contacts: 12, 6.0 - 8.0 mm, shieldable, solder, IP67, UL**

Area **M12-A series 713**  
Article number **99 1491 812 12**



**Polbild**

	X	Y
1	2,80	0,78
2	0,78	2,80
3	-1,09	2,69
4	-2,51	1,46
5	-2,88	-0,37
6	-2,05	-2,05
7	-0,37	-2,88
8	1,46	-2,51
9	2,69	-1,09
10	0,78	0,78
11	-1,06	0,29
12	0,29	-1,06

You can find the item description and assembly instruction on the next page.

## Technical data

### General features

Kontaktdesign	cable connector
Kontaktionslåsning	screw
Anslutning	solder
Tvärsnitt (mm)	0.25 mm <sup>2</sup>
Tvärsnitt (AWG)	24
Kabeluttag	6.0 - 8.0 mm
Övre gränstemperatur	85 °C
Lägre gränstemperatur	-40 °C
Customs tariff number	85369010

### Cable data

Godkännande 1	UL
---------------	----

### Electrical parameters

Märkström (40°C)	1,5 A (2 A UL)
Märkspänning	30 V
Märkstötspänning	500 V
Föroreningsgrad	3
Överspänningskategori	II
Isoleringsmaterialgrupp	III
Resistans	≤ 3 mΩ
Insulation resistance	> 10 <sup>8</sup> Ω
EMV-behörighet	shieldable
Kapslingsklass	IP67
Mekanisk livslängd	> 100 Mating cycles

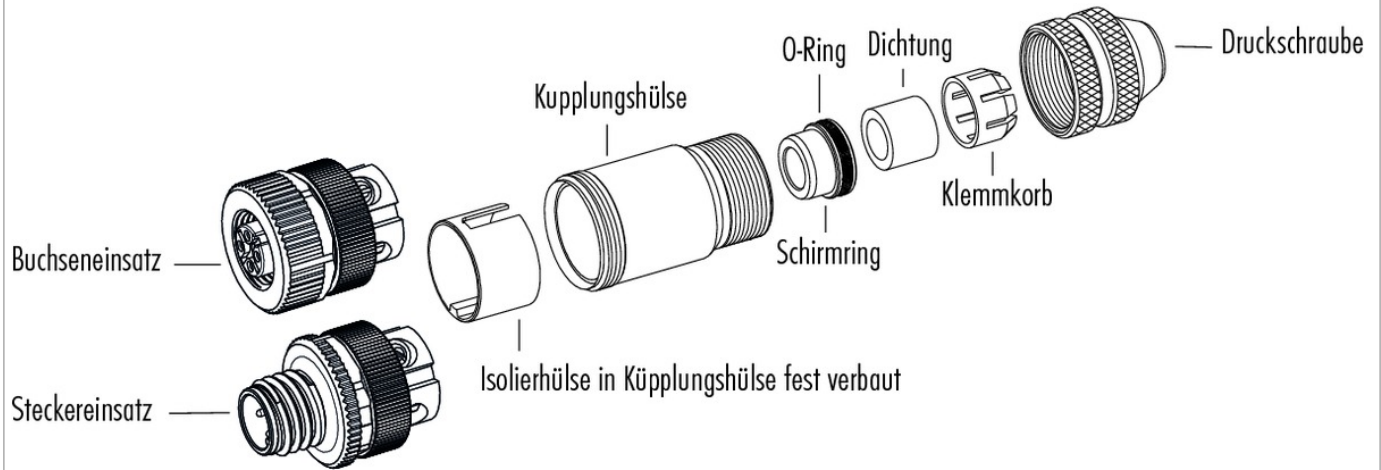
### Material

Kontaktmaterial	CuZn (brass)
Kontaktplätering	Au (gold)
Kontaktkroppsmaterial	PA
Kontaktthusmaterial	Zinc die-cast nickel-plated

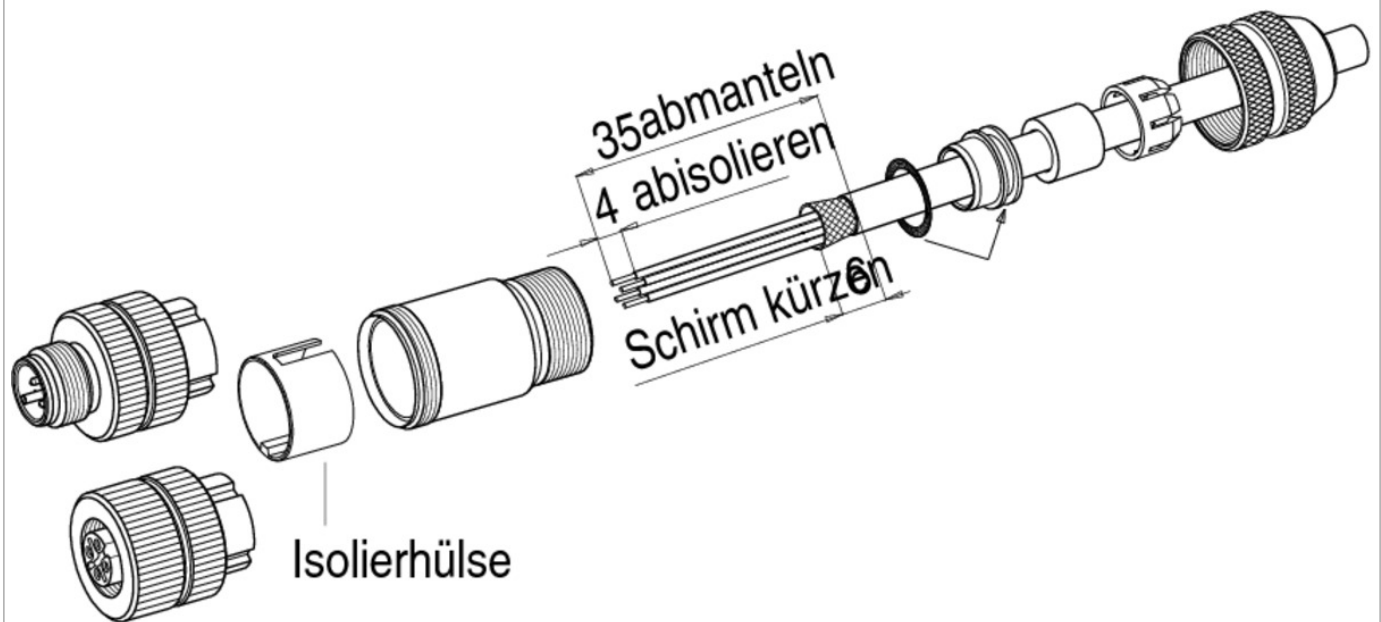
Product **M12-A cable connector, Contacts: 12, 6.0 - 8.0 mm, shieldable, solder, IP67, UL**

Area **M12-A series 713**  
Article number **99 1491 812 12**

### Sprängskiss



### Installationsinstruktioner / Monteringsutdrag



Product	<b>M12-A cable connector, Contacts: 12, 6.0 - 8.0 mm, shieldable, solder, IP67, UL</b>
Area	<b>M12-A series 713</b>
Article number	<b>99 1491 812 12</b>

## Security notices

The connectors are designed for use in plant, control system and electrical equipment. The end user is responsible for checking whether the connectors are suitable for use in other applications.

Connectors with degree of protection IP 67 and IP 68 are not suitable for use under water. When used outdoors, the connectors must be separately protected against corrosion. For further information about IP degrees of protection refer to 'Technical support' in the Download Centre.

To lock the cable connector to the equipment connector, the threaded ring is tightened until it is 'finger-tight' (approx. 50 cNm).