

Product **M8 female panel mount connector, Contacts: 8, not shielded, single wires, IP67**

Area **M8 series 718**  
 Article number **76 6618 1111 00008-0200**

Illustration	Ritning	Polbild																																											
		<table border="1" style="margin: 10px 0;"> <thead> <tr> <th></th> <th>X</th> <th>Y</th> </tr> </thead> <tbody> <tr><td>1</td><td>-0,90</td><td>-1,65</td></tr> <tr><td>2</td><td>0,90</td><td>-1,65</td></tr> <tr><td>3</td><td>1,85</td><td>-0,35</td></tr> <tr><td>4</td><td>1,45</td><td>1,20</td></tr> <tr><td>5</td><td>0</td><td>1,85</td></tr> <tr><td>6</td><td>-1,45</td><td>1,20</td></tr> <tr><td>7</td><td>-1,85</td><td>-0,35</td></tr> <tr><td>8</td><td>0</td><td>0</td></tr> </tbody> </table> <table style="margin-left: auto; margin-right: 0;"> <tbody> <tr><td>1</td><td>white</td></tr> <tr><td>2</td><td>brown</td></tr> <tr><td>3</td><td>green</td></tr> <tr><td>4</td><td>yellow</td></tr> <tr><td>5</td><td>grey</td></tr> <tr><td>6</td><td>pink</td></tr> <tr><td>7</td><td>blue</td></tr> <tr><td>8</td><td>red</td></tr> </tbody> </table>		X	Y	1	-0,90	-1,65	2	0,90	-1,65	3	1,85	-0,35	4	1,45	1,20	5	0	1,85	6	-1,45	1,20	7	-1,85	-0,35	8	0	0	1	white	2	brown	3	green	4	yellow	5	grey	6	pink	7	blue	8	red
	X	Y																																											
1	-0,90	-1,65																																											
2	0,90	-1,65																																											
3	1,85	-0,35																																											
4	1,45	1,20																																											
5	0	1,85																																											
6	-1,45	1,20																																											
7	-1,85	-0,35																																											
8	0	0																																											
1	white																																												
2	brown																																												
3	green																																												
4	yellow																																												
5	grey																																												
6	pink																																												
7	blue																																												
8	red																																												

You can find the assembly instruction on the next page.

## Technical data

### General features

<p>Hänvisning</p> <p>Kontaktdesign</p> <p>Kontaktdonslåsning</p> <p>Anslutning</p> <p>Tvårsnitt (mm)</p> <p>Tvårsnitt (AWG)</p> <p>Övre gränstemperatur</p> <p>Lägre gränstemperatur</p> <p>Customs tariff number</p>	<p>Please note that, due to the change from the old to the new order number, there may be deviations in the technical specifications. For questions about product details, please use the 'Contact Customer Service' form on the right.</p> <p>female panel mount connector screw</p> <p>single wires</p> <p>0.14 mm<sup>2</sup></p> <p>26</p> <p>85 °C</p> <p>- 40 °C</p> <p>85369010</p>
---	--

### Electrical parameters

<p>Märkström (40°C)</p> <p>Märkspänning</p> <p>Märkstötspänning</p> <p>Föroreningsgrad</p> <p>Överspanningskategori</p> <p>Isoleringsmaterialgrupp</p> <p>Resistans</p> <p>EMV-behörighet</p> <p>Kapslingsklass</p> <p>Mekanisk livslängd</p>	<p>1,5 A</p> <p>30 V</p> <p>800 V</p> <p>3</p> <p>II</p> <p>II</p> <p>≤ 3 mΩ</p> <p>not shielded</p> <p>IP67</p> <p>&gt; 100 Mating cycles</p>
---	--

### Material

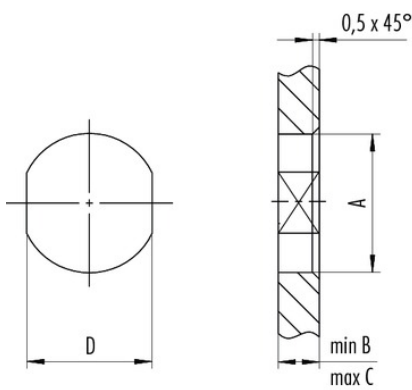
<p>Kontaktmaterial</p> <p>Kontaktplätering</p> <p>Kontaktkroppsmaterial</p> <p>Kontaktthusmaterial</p>	<p>CuSn (bronze)</p> <p>Au (gold)</p> <p>PA</p> <p>Zinc die-cast nickel-plated</p>
--	--

Product **M8 female panel mount connector, Contacts: 8, not shielded, single wires, IP67**  
 Area **M8 series 718**  
 Article number **76 6618 1111 00008-0200**

Installationsinstruktioner / Monteringsutdrag

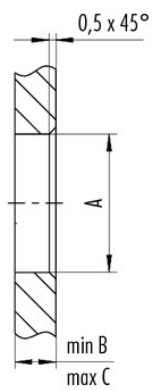
1. Einbauvorschlag

Mit Fläche als Verdrehschutz



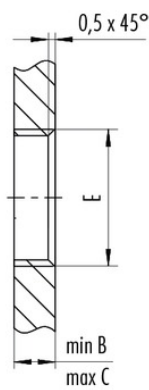
2. Einbauvorschlag

Mit Durchgangsbohrung



3. Einbauvorschlag

Mit Gewinde, einschraubbar



Gewinde E	A	B	C	D
M8 x 1	8,1	2,0	3,5	7,1
M10 x 0,75	10,1	2,0	6,5	9,1
M12 x 1	12,1	2,5	4,5	10,0

Anzugsdrehmoment 1 Nm

Product	<b>M8 female panel mount connector, Contacts: 8, not shielded, single wires, IP67</b>
Area	<b>M8 series 718</b>
Article number	<b>76 6618 1111 00008-0200</b>

## Security notices

The connectors are designed for use in plant, control system and electrical equipment. The end user is responsible for checking whether the connectors are suitable for use in other applications. Connectors with degree of protection IP 67 and IP 68 are not suitable for use under water. When used outdoors, the connectors must be separately protected against corrosion. For further information about IP degrees of protection refer to 'Technical support' in the Download Centre.