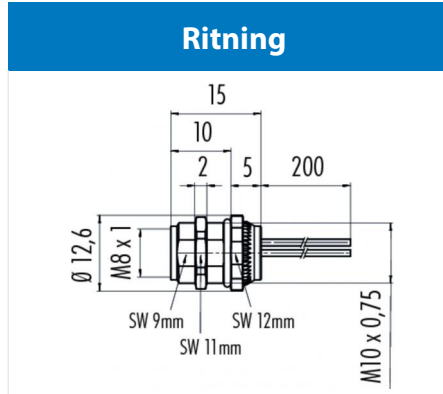


Product **M8 female panel mount connector, Contacts: 5, not shielded, single wires, IP67**
 Area **M8 series 718**
 Article number **76 6618 1111 00005-0200**



You can find the assembly instruction on the next page.

Technical data

General features

Hänvisning Please note that, due to the change from the old to the new order number, there may be deviations in the technical specifications. For questions about product details, please use the 'Contact Customer Service' form on the right.

Kontaktdesign female panel mount connector
 Kontaktdonslåsning screw
 Anslutning single wires
 Tvärsnitt (mm) 0.25 mm²
 Tvärsnitt (AWG) 24
 Övre gränstemperatur 85 °C
 Lägre gränstemperatur - 40 °C
 Customs tariff number 85444290

Electrical parameters

Märkström (40°C) 3 A
 Märkspänning 60 V
 Märkstötsspänning 1500 V
 Föroreningsgrad 3
 Överspänningskategori II
 Isoleringsmaterialgrupp II
 Resistans ≤ 3 mΩ
 EMV-behörighet not shielded
 Kapslingsklass IP67
 Mekanisk livslängd > 100 Mating cycles

Material

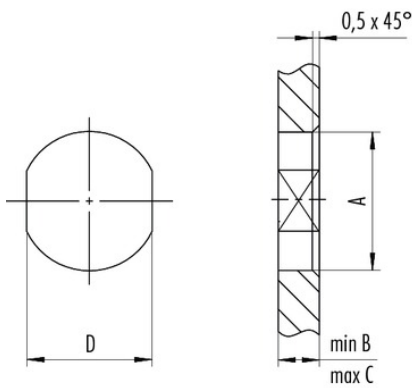
Kontaktmaterial CuSn (bronze)
 Kontaktplätering Au (gold)
 Kontaktkroppsmaterial PA
 Kontakthusmaterial Zinc die-cast nickel-plated

Product **M8 female panel mount connector, Contacts: 5, not shielded, single wires, IP67**
 Area **M8 series 718**
 Article number **76 6618 1111 00005-0200**

Installationsinstruktioner / Monteringsutdrag

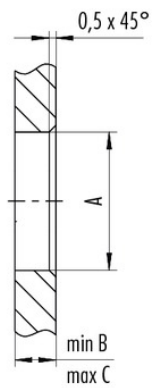
1. Einbauvorschlag

Mit Fläche als Verdrehschutz



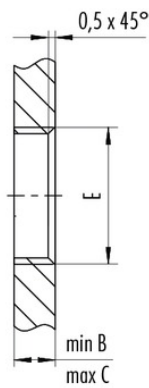
2. Einbauvorschlag

Mit Durchgangsbohrung



3. Einbauvorschlag

Mit Gewinde, einschraubbar



Gewinde E	A	B	C	D
M8 x 1	8,1	2,0	3,5	7,1
M10 x 0,75	10,1	2,0	6,5	9,1
M12 x 1	12,1	2,5	4,5	10,0

Anzugsdrehmoment 1 Nm

Product	M8 female panel mount connector, Contacts: 5, not shielded, single wires, IP67
Area	M8 series 718
Article number	76 6618 1111 00005-0200

Security notices

The connectors are designed for use in plant, control system and electrical equipment. The end user is responsible for checking whether the connectors are suitable for use in other applications. Connectors with degree of protection IP 67 and IP 68 are not suitable for use under water. When used outdoors, the connectors must be separately protected against corrosion. For further information about IP degrees of protection refer to 'Technical support' in the Download Centre.