

Product **M8 female panel mount connector, Contacts: 3, not shielded, single wires, IP67**
 Area **M8 series 718**
 Article number **76 6618 1111 00003-0200**

Illustration	Ritning	Polbild															
		<table border="1" style="margin: 10px 0;"> <thead> <tr> <th></th> <th>X</th> <th>Y</th> </tr> </thead> <tbody> <tr> <td>1</td> <td>1,75</td> <td>0,00</td> </tr> <tr> <td>2</td> <td>-</td> <td>-</td> </tr> <tr> <td>3</td> <td>-1,75</td> <td>0,00</td> </tr> <tr> <td>4</td> <td>0,00</td> <td>1,75</td> </tr> </tbody> </table> <p>1 brown 2 blue 3 black 4 black</p>		X	Y	1	1,75	0,00	2	-	-	3	-1,75	0,00	4	0,00	1,75
	X	Y															
1	1,75	0,00															
2	-	-															
3	-1,75	0,00															
4	0,00	1,75															

You can find the assembly instruction on the next page.

Technical data

General features

Hänvisning
Please note that, due to the change from the old to the new order number, there may be deviations in the technical specifications. For questions about product details, please use the 'Contact Customer Service' form on the right.

Kontaktdesign
Kontaktdonslåsning
Anslutning
Tvärsnitt (mm)
Tvärsnitt (AWG)
Övre gränstemperatur
Lägre gränstemperatur
Customs tariff number

female panel mount connector
screw
single wires
0.25 mm²
24
85 °C
- 40 °C
85369010

Electrical parameters

Märkström (40°C)
Märkspänning
Märksstötsspänning
Föroreningsgrad
Överspänningskategori
Isoleringsmaterialgrupp
Resistans
EMV-behörighet
Kapslingsklass
Mekanisk livslängd

4 A
60 V
1500 V
3
II
II
≤ 3 mΩ
not shielded
IP67
> 100 Mating cycles

Material

Kontaktmaterial
Kontaktplätering
Kontaktkroppsmaterial
Kontaktthusmaterial

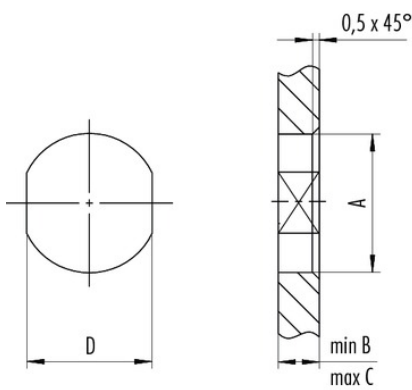
CuSn (bronze)
Au (gold)
PA
Zinc die-cast nickel-plated

Product **M8 female panel mount connector, Contacts: 3, not shielded, single wires, IP67**
 Area **M8 series 718**
 Article number **76 6618 1111 00003-0200**

Installationsinstruktioner / Monteringsutdrag

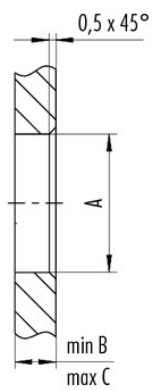
1. Einbauvorschlag

Mit Fläche als Verdrehenschutz



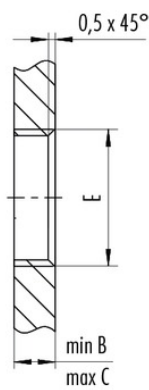
2. Einbauvorschlag

Mit Durchgangsbohrung



3. Einbauvorschlag

Mit Gewinde, einschraubbar



Gewinde E	A	B	C	D
M8 x 1	8,1	2,0	3,5	7,1
M10 x 0,75	10,1	2,0	6,5	9,1
M12 x 1	12,1	2,5	4,5	10,0

Anzugsdrehmoment 1 Nm

Product	M8 female panel mount connector, Contacts: 3, not shielded, single wires, IP67
Area	M8 series 718
Article number	76 6618 1111 00003-0200

Security notices

The connectors are designed for use in plant, control system and electrical equipment. The end user is responsible for checking whether the connectors are suitable for use in other applications. Connectors with degree of protection IP 67 and IP 68 are not suitable for use under water. When used outdoors, the connectors must be separately protected against corrosion. For further information about IP degrees of protection refer to 'Technical support' in the Download Centre.