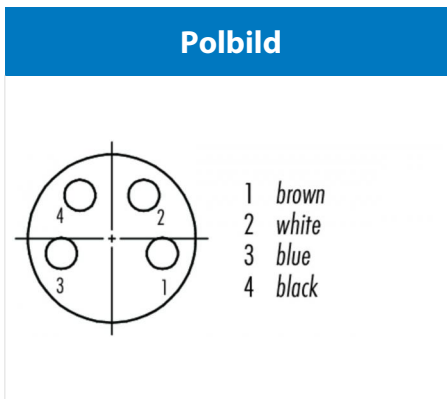
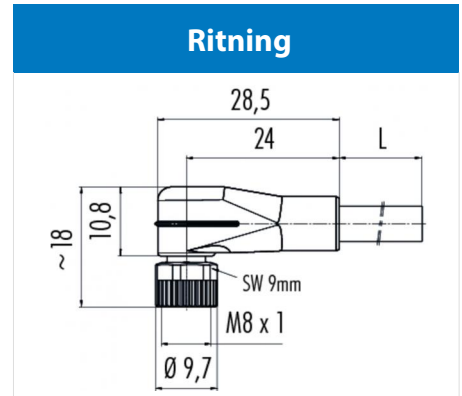
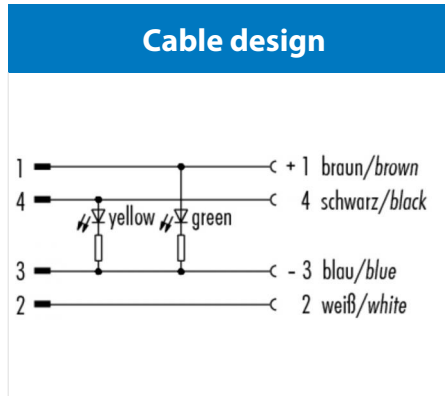


Product	M8 female angled connector, Contacts: 4, not shielded, moulded on cable, IP67, UL listed, PUR black, 4 x 0.34 mm²
Area	M8 series 718
Article number	77 3608 0000 50004-0200



Technical data

General features

Kontaktdesign	female angled connector
Kontaktionslösning	screw
Anslutning	moulded on cable
Tvårsnitt (mm)	0.34 mm ²
Tvårsnitt (AWG)	22
Övre gränstemperatur	85 °C
Lägre gränstemperatur	- 25 °C
Customs tariff number	85444290

Electrical parameters

Märkström (40°C)	4 A
Märkspänning	10 - 30 V
Märkstötspänning	500 V
Föroreningsgrad	3
Överspänningskategori	II
Isoleringsmaterialgrupp	II
Resistans	≤ 3 mΩ
EMV-behörighet	not shielded
Kapslingsklass	IP67
Mekanisk livslängd	> 100 Mating cycles

Material

Kontaktmaterial	CuZn (brass)
Kontaktplätering	Au (gold)
Kontaktkroppsmaterial	PUR
Kontaktusmaterial	PUR

Product	M8 female angled connector, Contacts: 4, not shielded, moulded on cable, IP67, UL listed, PUR black, 4 x 0.34 mm²
Area	M8 series 718
Article number	77 3608 0000 50004-0200

Technical data

Cable data

Kabellängd	2 m
Mantelmateriäl	PUR
Isoleringsfläta	PP
Trädkonstruktion	42 x 0,1
Kabeldiameter	4.7 mm
Ledarmotstånd	60Ω/Km
Temperaturintervall kabel rör sig från C	-25 °C
Temperaturintervall kabel rör sig till C	90 °C
Temperaturintervall kabel fast från C	-50 °C
Temperaturintervall kabel fast till C	90 °C
Fixerad böjningsradie kabel	≥ 5 x Ø
Rörlig böjningsradie kabel	≥ 10 x Ø
Godkännande 1	UL listed
UL style 1	AWM20549

Product	M8 female angled connector, Contacts: 4, not shielded, moulded on cable, IP67, UL listed, PUR black, 4 x 0.34 mm²
Area	M8 series 718
Article number	77 3608 0000 50004-0200

Security notices

The connectors are designed for use in plant, control system and electrical equipment. The end user is responsible for checking whether the connectors are suitable for use in other applications.

Connectors with degree of protection IP 67 and IP 68 are not suitable for use under water. When used outdoors, the connectors must be separately protected against corrosion. For further information about IP degrees of protection refer to 'Technical support' in the Download Centre.

To lock the cable connector to the equipment connector, the threaded ring is tightened until it is 'finger-tight' (approx. 50 cNm).