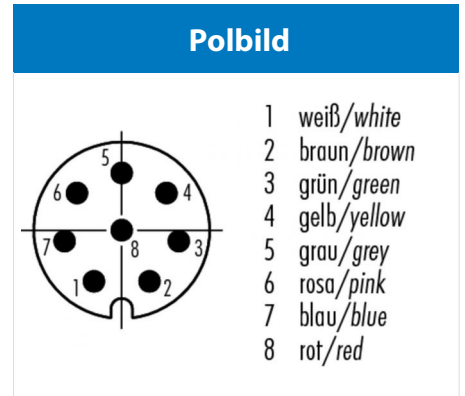
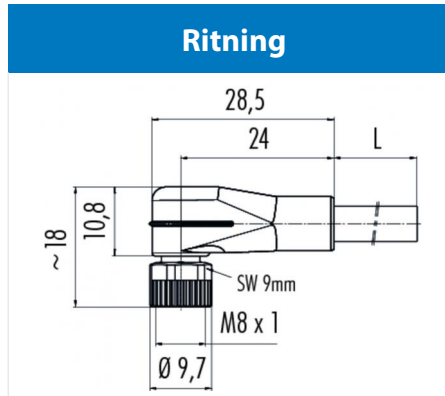


Product	M8 male angled connector, Contacts: 8, not shielded, moulded on cable, IP67, UL listed, PUR black, 8 x 0.25 mm²
Area	M8 series 718
Article number	77 3403 0000 50008-0200



Technical data

General features

Hänvisning	Please note that, due to the change from the old to the new order number, there may be deviations in the technical specifications. For questions about product details, please use the 'Contact Customer Service' form on the right.
Kontaktdesign	male angled connector
Kontaktionslösning	screw
Anslutning	moulded on cable
Tvärsnitt (mm)	0.25 mm ²
Tvärsnitt (AWG)	24
Övre gränstemperatur	85 °C
Lägre gränstemperatur	- 25 °C
Customs tariff number	85444290

Electrical parameters

Märkström (40°C)	1,5 A
Märkspänning	30 V
Märkstötspänning	800 V
Föroreningsgrad	3
Överspänningskategori	II
Isoleringsmaterialgrupp	II
Resistans	≤ 3 mΩ
EMV-behörighet	not shielded
Kapslingsklass	IP67
Mekanisk livslängd	> 100 Mating cycles

Material

Kontaktmaterial	CuZn (brass)
Kontaktplätering	Au (gold)
Kontaktkroppsmaterial	PUR
Kontaktthusmaterial	PUR

Cable data

Kabellängd	2 m
Mantelmateriäl	PUR
Isoleringsfläta	PP
Trådkonstruktion	32 x 0,1
Kabeldiameter	6.0 mm
Ledarmotstånd	<79Ω/Km
Temperaturintervall kabel rör sig från C	- 25 °C
Temperaturintervall kabel rör sig till C	90 °C
Temperaturintervall kabel fast från C	-50 °C
Temperaturintervall kabel fast till C	90 °C
Fixerad böjningsradie kabel	≥ 5 x Ø
Rörlig böjningsradie kabel	≥ 10 x Ø
Godkännande 1	UL listed
UL style 1	AWM20549

Product	M8 male angled connector, Contacts: 8, not shielded, moulded on cable, IP67, UL listed, PUR black, 8 x 0.25 mm²
Area	M8 series 718
Article number	77 3403 0000 50008-0200

Security notices

The connectors are designed for use in plant, control system and electrical equipment. The end user is responsible for checking whether the connectors are suitable for use in other applications.

Connectors with degree of protection IP 67 and IP 68 are not suitable for use under water. When used outdoors, the connectors must be separately protected against corrosion. For further information about IP degrees of protection refer to 'Technical support' in the Download Centre.

To lock the cable connector to the equipment connector, the threaded ring is tightened until it is 'finger-tight' (approx. 50 cNm).