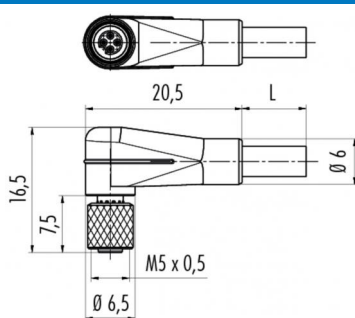


Product **M5 female angled connector, Contacts: 4, not shielded, moulded on cable, IP67, M5x0.5, PUR black, 4 x 0.14 mm<sup>2</sup>**  
 Area **M5 series 707**  
 Article number **79 3110 52 04**

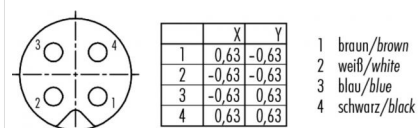
### Illustration



### Ritning



### Polbild



## Technical data

### General features

Kontaktdesign female angled connector  
 Kontaktdonslåsning screw  
 Anslutning moulded on cable  
 Tvärsnitt (mm) 0.14 mm<sup>2</sup>  
 Tvärsnitt (AWG) 26  
 Övre gränstemperatur 80 °C  
 Lägre gränstemperatur - 25 °C  
 Customs tariff number 85444290

### Cable data

Kabellängd 2 m  
 Mantelmaterial PUR  
 Isoleringsfläta PVC  
 Trådkonstruktion 18 x 0,1  
 Ledarmotstånd 148Ω/Km  
 Temperaturintervall kabel rör sig från C - 5 °C  
 Temperaturintervall kabel rör sig till C 80 °C  
 Temperaturintervall kabel fast från C -25 °C  
 Temperaturintervall kabel fast till C 80 °C

### Electrical parameters

Märkström (40°C) 1 A  
 Märkspänning 60 V  
 Märkstötspänning 800 V  
 Föroreningsgrad 3  
 Överspänningskategori II  
 Isolermaterialgrupp I  
 Resistans ≤ 3 mΩ  
 Insulation resistance > 10<sup>8</sup> Ω  
 EMV-behörighet not shielded  
 Kapslingsklass IP67  
 Mekanisk livslängd > 100 Mating cycles

### Material

Kontaktmaterial CuSn (bronze)  
 Kontaktplätering Au (gold)  
 Kontaktkroppsmaterial PUR  
 Kontakthusmaterial PUR

|                |  |
|----------------|--|
| Product        | <b>M5 female angled connector, Contacts: 4, not shielded, moulded on cable, IP67, M5x0.5, PUR black, 4 x 0.14 mm<sup>2</sup></b> |
| Area           | <b>M5 series 707</b>   |
| Article number | <b>79 3110 52 04</b>   |

## Security notices

The connectors are designed for use in plant, control system and electrical equipment. The end user is responsible for checking whether the connectors are suitable for use in other applications.

Connectors with degree of protection IP 67 and IP 68 are not suitable for use under water. When used outdoors, the connectors must be separately protected against corrosion. For further information about IP degrees of protection refer to 'Technical support' in the Download Centre.

To lock the cable connector to the equipment connector, the threaded ring is tightened until it is 'finger-tight' (approx. 50 cNm).