

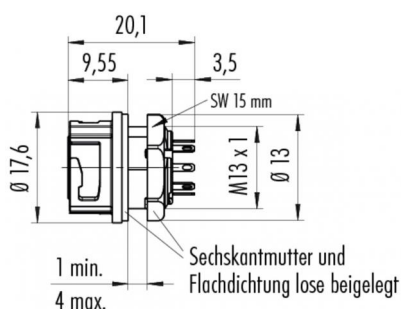
Product **Bayonet NCC female panel mount connector, Contacts: 8, solder, IP67**

Area **Bayonet NCC series 770**
Article number **09 0774 400 08**

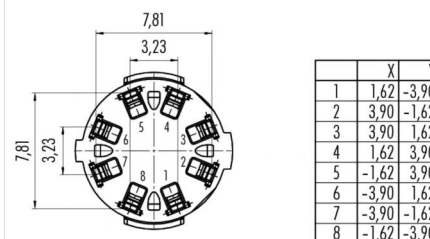
Illustration



Ritning



Polbild



You can find the assembly instruction on the next page.

Technical data

General features

Kontaktdesign	female panel mount connector
Kontaktionslösning	Bayonet
Anslutning	solder
Tvärsnitt (mm)	0.25 mm ²
Tvärsnitt (AWG)	24
Övre gränstemperatur	85 °C
Lägre gränstemperatur	- 25 °C
Customs tariff number	85369010

Electrical parameters

Märkström (40°C)	2 A
Märkspänning	175 V
Märkstötspänning	1750 V
Föroreningsgrad	2
Överspanningskategori	II
Isoleringsmaterialgrupp	II
Resistans	≤ 15 mΩ
Kapslingsklass	IP67
Mekanisk livslängd	> 5000 Mating cycles

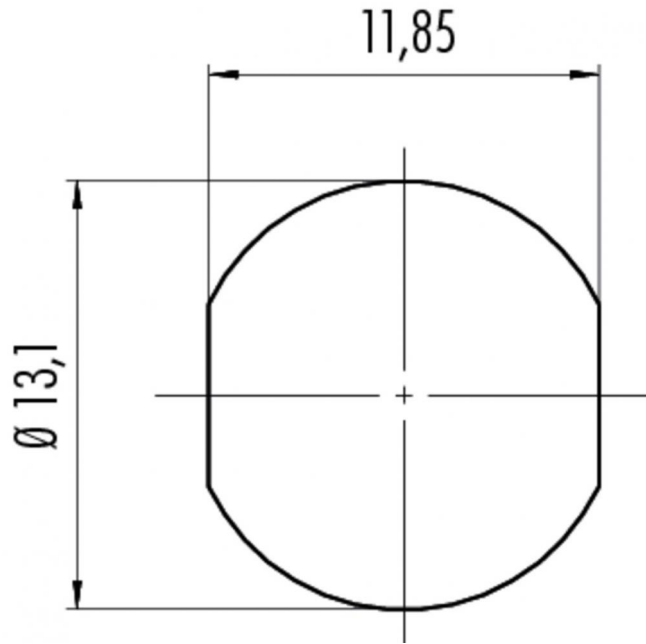
Material

Kontaktmaterial	CuSn (bronze)
Kontaktplätning	Au (gold)
Kontaktkroppsmaterial	PA (UL 94 V-0)
Kontaktusmaterial	PA

Product **Bayonet NCC female panel mount connector, Contacts: 8, solder, IP67**

Area **Bayonet NCC series 770**
Article number **09 0774 400 08**

Installationsinstruktioner / Monteringsutdrag



Product	Bayonet NCC female panel mount connector, Contacts: 8, solder, IP67
Area	Bayonet NCC series 770
Article number	09 0774 400 08

Security notices

The connector must not be connected or separated under load. Non-observance and incorrect use can result in personal injury.

The connectors are designed for use in plant, control system and electrical equipment. The end user is responsible for checking whether the connectors are suitable for use in other applications.

Connectors with degree of protection IP 67 and IP 68 are not suitable for use under water. When used outdoors, the connectors must be separately protected against corrosion. For further information about IP degrees of protection refer to 'Technical support' in the Download Centre.