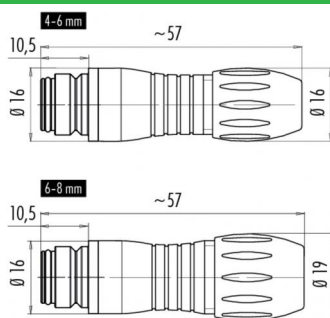


Product **Snap-In IP67 (miniature) female cable connector, Contacts: 12, 6.0 - 8.0 mm, not shielded, solder, IP67**  
 Area **Snap-In IP67 (miniature) series 720**  
 Article number **99 9134 452 12**

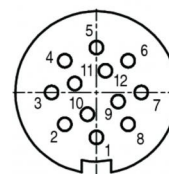
### Illustration



### Ritning



### Polbild



	X	Y
1	0,00	-3,70
2	-2,62	-2,62
3	-3,70	0,00
4	-2,62	2,62
5	0,00	3,70
6	2,62	2,62
7	3,70	0,00
8	2,62	-2,62
9	1,79	-0,74
10	-0,74	-1,79
11	-1,79	0,74
12	0,74	1,79

You can find the item description and assembly instruction on the next page.

## Technical data

### General features

Kontaktdesign	female cable connector
Kontaktionslåsning	snap
Anslutning	solder
Tvärsnitt (mm)	0.25 mm <sup>2</sup>
Tvärsnitt (AWG)	24
Kabeluttag	6.0 - 8.0 mm
Övre gränstemperatur	85 °C
Lägre gränstemperatur	-40 °C
Customs tariff number	85369010

### Electrical parameters

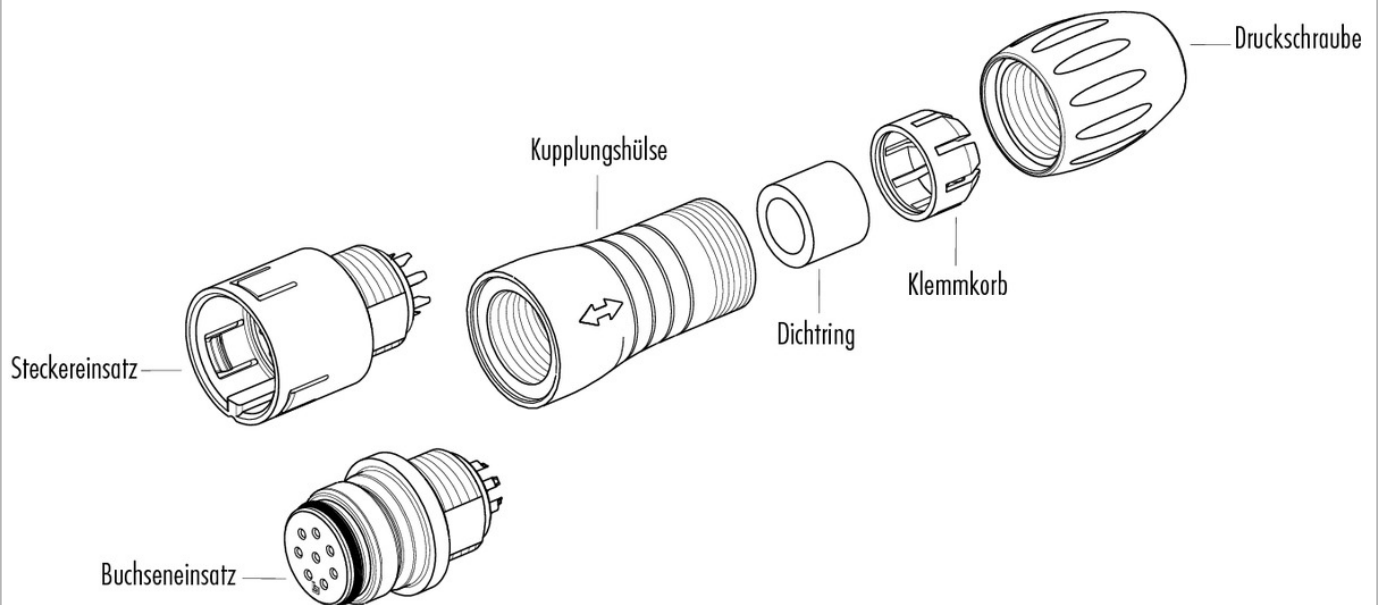
Märkström (40°C)	2 A
Märkspänning	60 V
Märkstötspänning	800 V
Föroreningsgrad	2
Överspänningskategori	II
Isoleringsmaterialgrupp	II
Resistans	≤ 3 mΩ
Insulation resistance	≥ 10 <sup>10</sup> Ω
EMV-behörighet	not shielded
Kapslingsklass	IP67
Mekanisk livslängd	> 500 Mating cycles

### Material

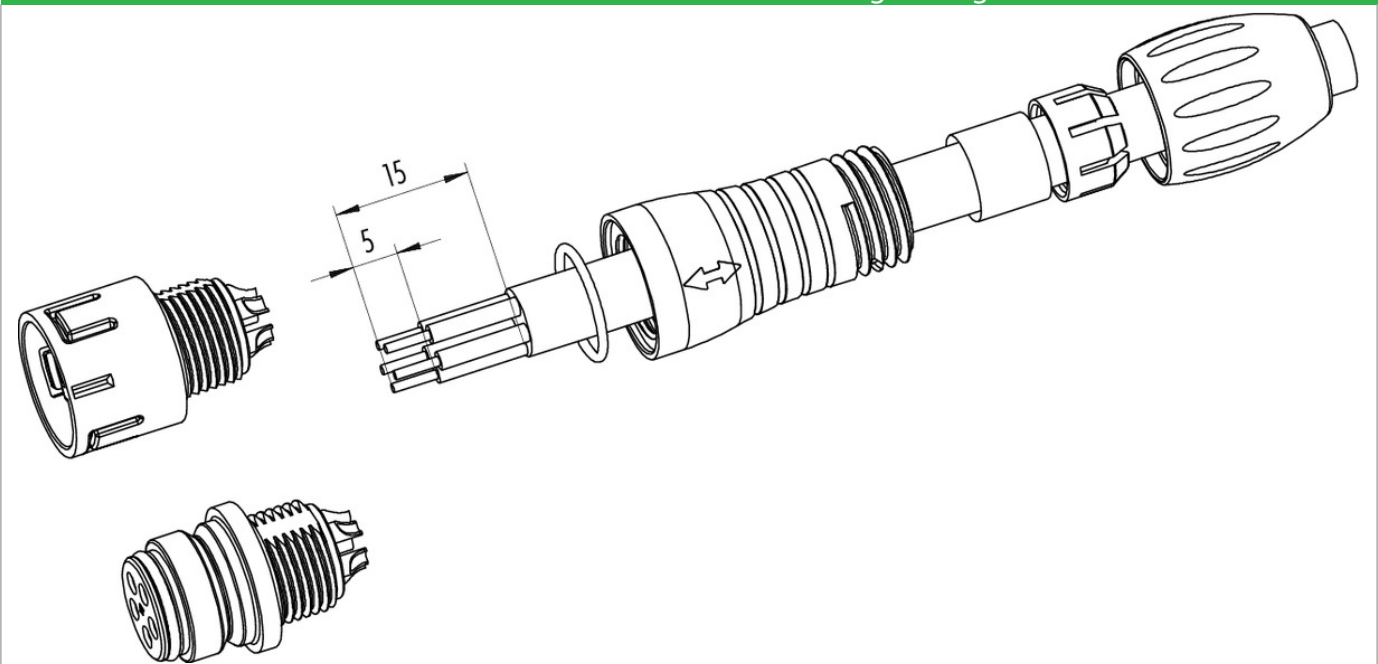
Kontaktmaterial	CuZn (brass)
Kontaktplätering	Au (gold)
Kontaktkroppsmaterial	PA (UL 94 V-0)
Kontaktthusmaterial	PA

Product	Snap-In IP67 (miniature) female cable connector, Contacts: 12, 6.0 - 8.0 mm, not shielded, solder, IP67
Area	Snap-In IP67 (miniature) series 720
Article number	99 9134 452 12

### Sprängskiss



### Installationsinstruktioner / Monteringsutdrag



Product	<b>Snap-In IP67 (miniature) female cable connector, Contacts: 12, 6.0 - 8.0 mm, not shielded, solder, IP67</b>
Area	<b>Snap-In IP67 (miniature) series 720</b>
Article number	<b>99 9134 452 12</b>

## Security notices

The connectors are designed for use in plant, control system and electrical equipment. The end user is responsible for checking whether the connectors are suitable for use in other applications. Connectors with degree of protection IP 67 and IP 68 are not suitable for use under water. When used outdoors, the connectors must be separately protected against corrosion. For further information about IP degrees of protection refer to 'Technical support' in the Download Centre.