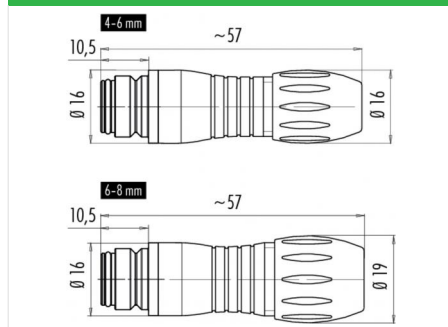


Product **Snap-In IP67 (miniature) female cable connector, Contacts: 12, 6.0 - 8.0 mm, not shielded, solder, IP67**
 Area **Snap-In IP67 (miniature) series 720**
 Article number **99 9134 402 12**

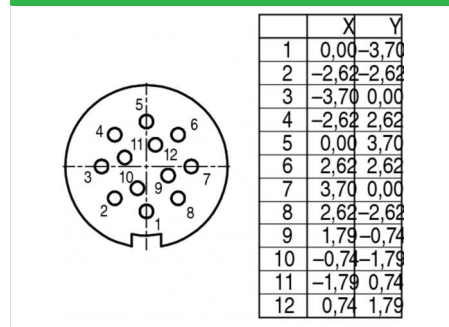
Illustration



Ritning



Polbild



You can find the item description and assembly instruction on the next page.

Technical data

General features

Kontaktdesign female cable connector
 Kontaktdonslåsning snap
 Anslutning solder
 Tvärsnitt (mm) 0.25 mm²
 Tvärsnitt (AWG) 24
 Kabeluttag 6.0 - 8.0 mm
 Övre gränstemperatur 85 °C
 Lägre gränstemperatur -40 °C
 Customs tariff number 85369010

Electrical parameters

Märkström (40°C) 2 A
 Märkspänning 60 V
 Märksstötsspänning 800 V
 Föroreningsgrad 2
 Överspänningskategori II
 Isoleringsmaterialgrupp II
 Resistans ≤ 3 mΩ
 Insulation resistance ≥ 10¹⁰ Ω
 EMV-behörighet not shielded
 Kapslingsklass IP67
 Mekanisk livslängd > 500 Mating cycles

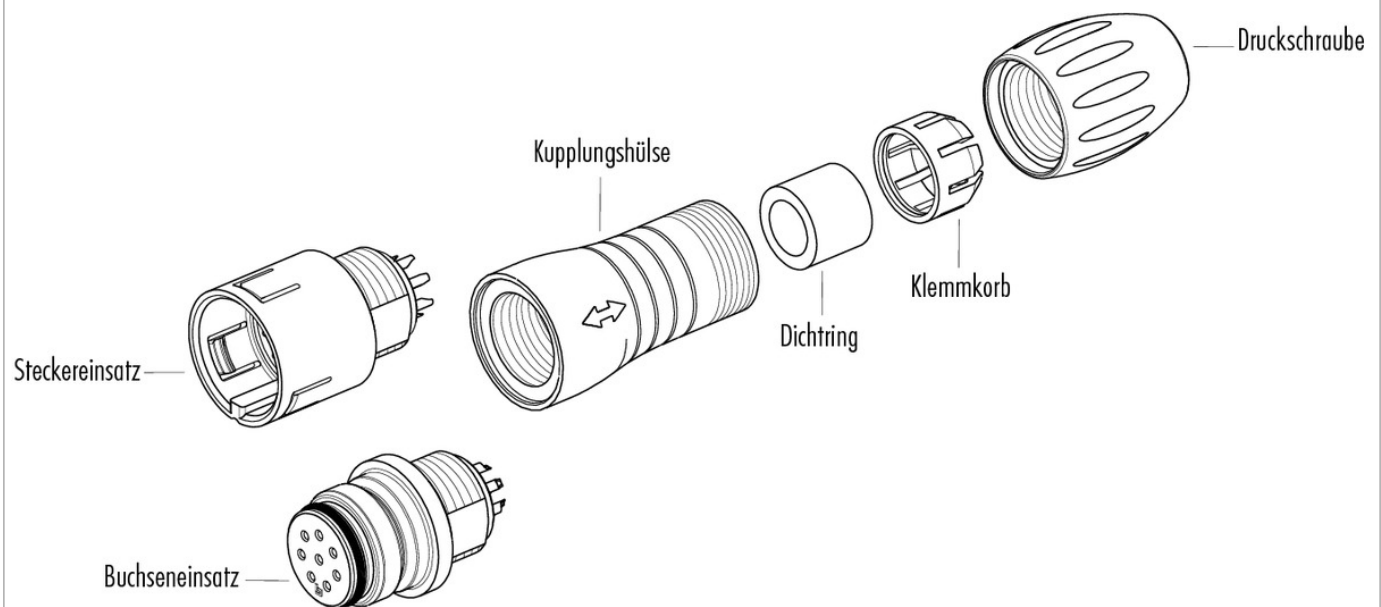
Material

Kontaktmaterial CuZn (brass)
 Kontaktplätering Au (gold)
 Kontaktkroppsmaterial PA (UL 94 V-0)
 Kontakthusmaterial PA

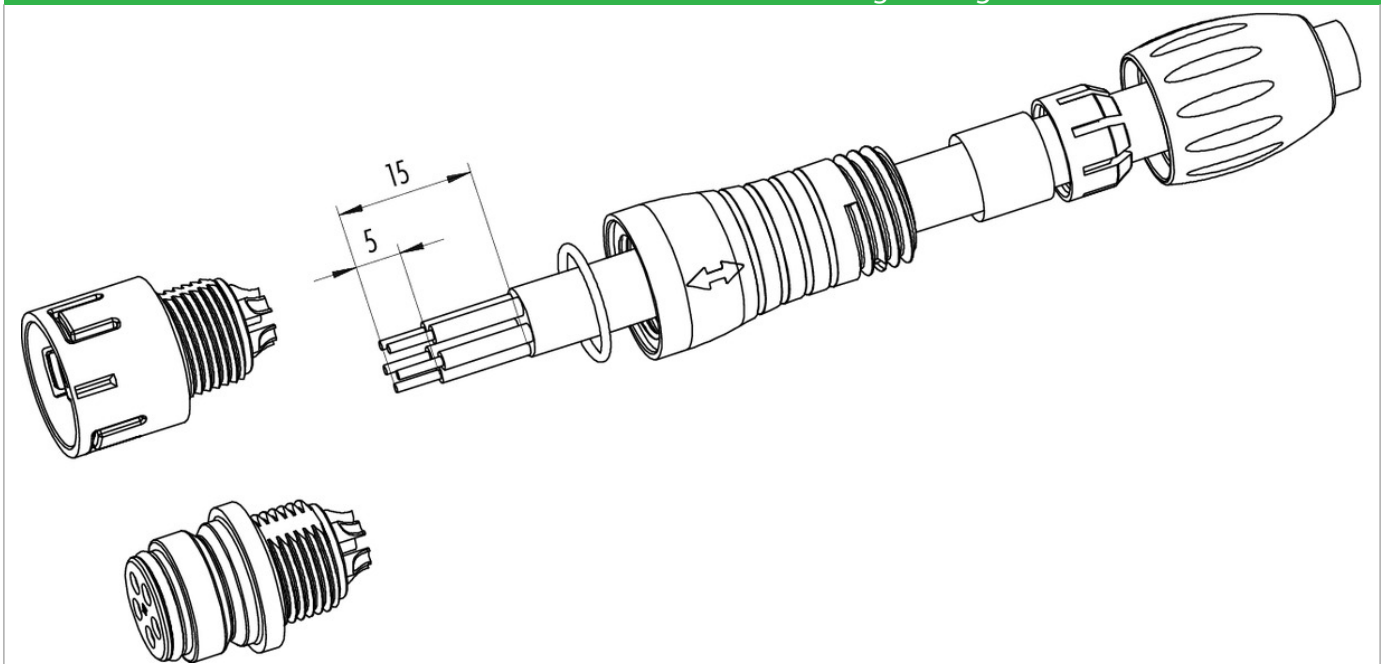
Product **Snap-In IP67 (miniature) female cable connector, Contacts: 12, 6.0 - 8.0 mm, not shielded, solder, IP67**

Area **Snap-In IP67 (miniature) series 720**
Article number **99 9134 402 12**

Sprängskiss



Installationsinstruktioner / Monteringsutdrag



Product	Snap-In IP67 (miniature) female cable connector, Contacts: 12, 6.0 - 8.0 mm, not shielded, solder, IP67
Area	Snap-In IP67 (miniature) series 720
Article number	99 9134 402 12

Security notices

The connectors are designed for use in plant, control system and electrical equipment. The end user is responsible for checking whether the connectors are suitable for use in other applications. Connectors with degree of protection IP 67 and IP 68 are not suitable for use under water. When used outdoors, the connectors must be separately protected against corrosion. For further information about IP degrees of protection refer to 'Technical support' in the Download Centre.