

Product **Snap-In IP67 (subminiature) male panel mount connector, Contacts: 5, Shielding is not possible, solder, IP67**
 Area **Snap-In IP67 (subminiature) series 620**
 Article number **99 9215 400 05**

Illustration	Ritning	Polbild																		
		<table border="1" style="margin-left: 20px;"> <thead> <tr> <th></th> <th>X</th> <th>Y</th> </tr> </thead> <tbody> <tr> <td>1</td> <td>1,23</td> <td>-1,70</td> </tr> <tr> <td>2</td> <td>2,00</td> <td>0,65</td> </tr> <tr> <td>3</td> <td>0,00</td> <td>2,10</td> </tr> <tr> <td>4</td> <td>-2,00</td> <td>0,65</td> </tr> <tr> <td>5</td> <td>-1,23</td> <td>-1,70</td> </tr> </tbody> </table>		X	Y	1	1,23	-1,70	2	2,00	0,65	3	0,00	2,10	4	-2,00	0,65	5	-1,23	-1,70
	X	Y																		
1	1,23	-1,70																		
2	2,00	0,65																		
3	0,00	2,10																		
4	-2,00	0,65																		
5	-1,23	-1,70																		

You can find the item description and assembly instruction on the next page.

Technical data

General features

Kontaktdesign	male panel mount connector
Kontaktionslåsning	snap
Anslutning	solder
Tvärsnitt (mm)	0.25 mm ²
Tvärsnitt (AWG)	24
Övre gränstemperatur	85 °C
Lägre gränstemperatur	- 25 °C
Customs tariff number	85369010

Electrical parameters

Märkström (40°C)	2 A
Märkspänning	63 V
Märkstötspänning	800 V
Föroreningsgrad	2
Överspänningskategori	II
Isoleringsmaterialgrupp	II
Resistans	≤ 3 mΩ
Insulation resistance	≥ 10 ¹⁰ Ω
EMV-behörighet	Shielding is not possible
Kapslingsklass	IP67
Mekanisk livslängd	> 500 Mating cycles

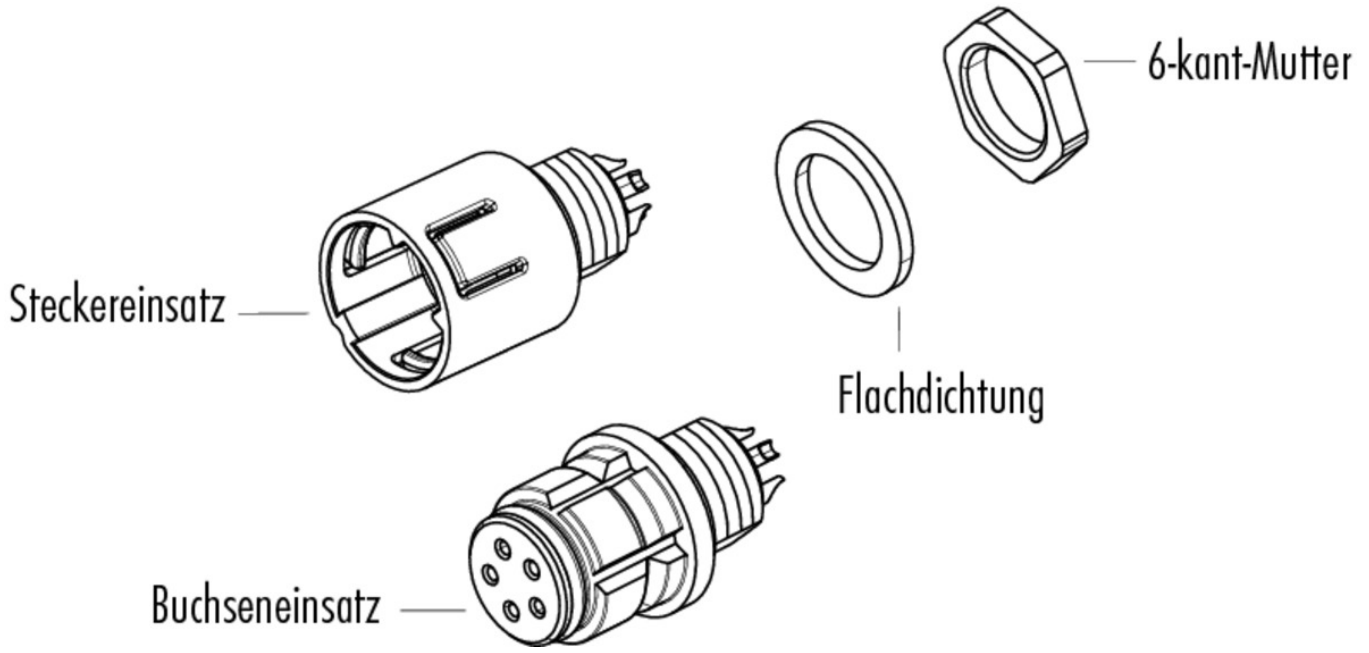
Material

Kontaktmaterial	CuZn (brass)
Kontaktplätering	Au (gold)
Kontaktkroppsmaterial	PA (UL 94 V-0)
Kontakthusmaterial	PA

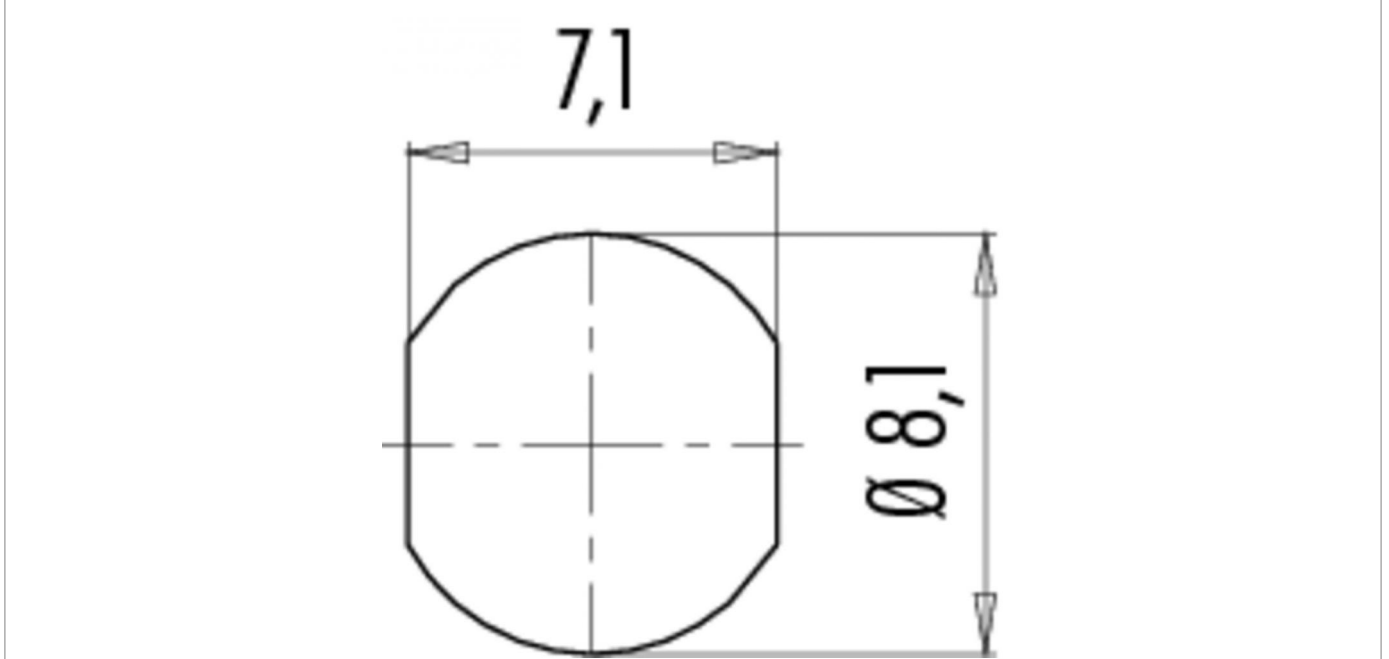
Product Snap-In IP67 (subminiature) male panel mount connector, Contacts: 5, Shielding is not possible, solder, IP67

Area Snap-In IP67 (subminiature) series 620
Article number 99 9215 400 05

Sprängskiss



Installationsinstruktioner / Monteringsutdrag



Product	Snap-In IP67 (subminiature) male panel mount connector, Contacts: 5, Shielding is not possible, solder, IP67
Area	Snap-In IP67 (subminiature) series 620
Article number	99 9215 400 05

Security notices

The connectors are designed for use in plant, control system and electrical equipment. The end user is responsible for checking whether the connectors are suitable for use in other applications. Connectors with degree of protection IP 67 and IP 68 are not suitable for use under water. When used outdoors, the connectors must be separately protected against corrosion. For further information about IP degrees of protection refer to 'Technical support' in the Download Centre.