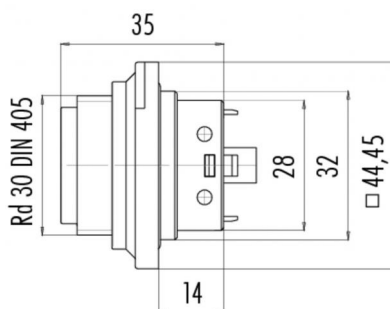


Product **RD30 male panel mount connector, Contacts: 24, Shielding is not possible, solder, IP65**
 Area **RD30 series 694**
 Article number **99 0739 00 24**

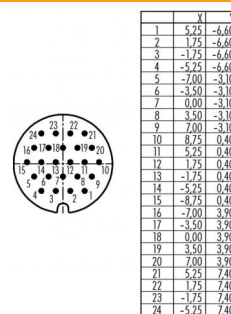
Illustration



Ritning



Polbild



You can find the assembly instruction on the next page.

Technical data

General features

Kontaktdesign male panel mount connector
 Kontaktdonslåsning screw
 Anslutning solder
 Tvärsnitt (mm) 0.25 mm²
 Tvärsnitt (AWG) 24
 Övre gränstemperatur 100 °C
 Lägre gränstemperatur -40 °C
 Customs tariff number 85369010

Electrical parameters

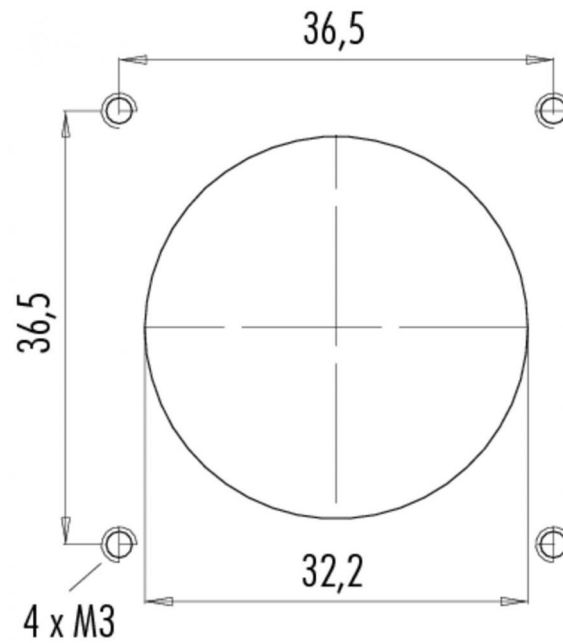
Märkström (40°C) 3 A
 Märkspänning 125 V
 Märkstötspänning 2500 V
 Föroreningsgrad 3
 Överspanningskategori III
 Isolermaterialgrupp III
 Resistans ≤ 5 mΩ
 Insulation resistance ≥ 10¹⁰ Ω
 EMV-behörighet Shielding is not possible
 Kapslingsklass IP65
 Mekanisk livslängd > 500 Mating cycles

Material

Kontaktmaterial CuZn (brass)
 Kontaktplätering Au (gold)
 Kontaktkroppsmaterial PA (UL 94 HB)
 Kontaktthusmaterial PA

Product	RD30 male panel mount connector, Contacts: 24, Shielding is not possible, solder, IP65
Area	RD30 series 694
Article number	99 0739 00 24

Installationsinstruktioner / Monteringsutdrag



Product	RD30 male panel mount connector, Contacts: 24, Shielding is not possible, solder, IP65
Area	RD30 series 694
Article number	99 0739 00 24

Security notices

The connector must not be connected or separated under load. Non-observance and incorrect use can result in personal injury.

The connectors are designed for use in plant, control system and electrical equipment. The end user is responsible for checking whether the connectors are suitable for use in other applications.

Connectors with degree of protection IP 67 and IP 68 are not suitable for use under water. When used outdoors, the connectors must be separately protected against corrosion. For further information about IP degrees of protection refer to 'Technical support' in the Download Centre.