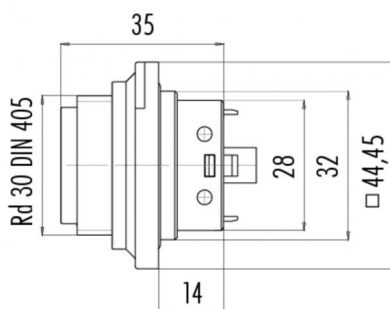


Product **RD30 male panel mount connector, Contacts: 4+PE, Shielding is not possible, screw clamp, IP65, ESTI+, VDE**  
 Area **RD30 series 694**  
 Article number **99 0711 00 05**

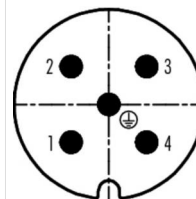
### Illustration



### Ritning



### Polbild



	X	Y
1	-4,77	-4,77
2	-4,77	4,77
3	4,77	4,77
4	4,77	-4,77
⊕	0,00	0,00

You can find the assembly instruction on the next page.

## Technical data

### General features

Kontaktdesign	male panel mount connector
Kontaktionslösning	screw
Anslutning	screw clamp
Tvärsnitt (mm)	2.50 mm <sup>2</sup>
Tvärsnitt (AWG)	14
Övre gränstemperatur	100 °C
Lägre gränstemperatur	- 40 °C
Customs tariff number	85369010

### Cable data

Godkännande 1	ESTI+
Godkännande 2	VDE

### Electrical parameters

Märkström (40°C)	20 A
Märkspänning	400 V
Märkstötspänning	6000 V
Föroreningsgrad	3
Överspanningskategori	III
Isoleringsmaterialgrupp	III
Resistans	≤ 5 mΩ
Insulation resistance	≥ 10 <sup>10</sup> Ω
EMV-behörighet	Shielding is not possible
Kapslingsklass	IP65
Mekanisk livslängd	> 500 Mating cycles

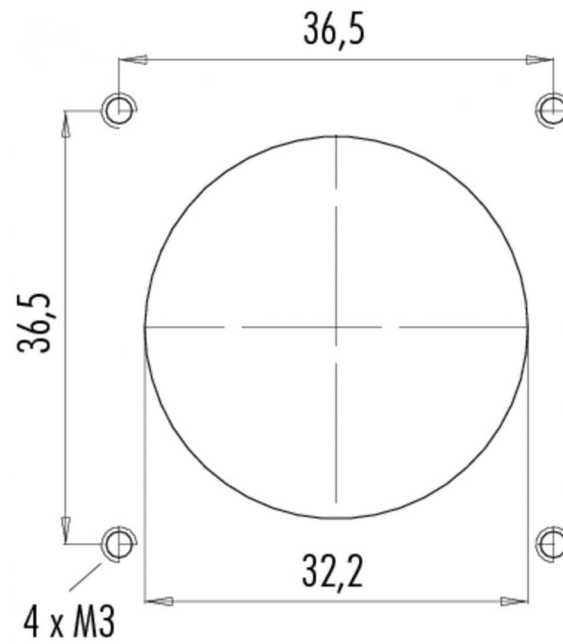
### Material

Kontaktmaterial	CuZn (brass)
Kontaktplätning	Ag (silver)
Kontaktroppsmaterial	PA (UL 94 HB)
Kontaktthusmaterial	PA

Product **RD30 male panel mount connector, Contacts: 4+PE, Shielding is not possible, screw clamp, IP65, ESTI+, VDE**

Area **RD30 series 694**  
Article number **99 0711 00 05**

Installationsinstruktioner / Monteringsutdrag



Product	<b>RD30 male panel mount connector, Contacts: 4+PE, Shielding is not possible, screw clamp, IP65, ESTI+, VDE</b>
Area	<b>RD30 series 694</b>
Article number	<b>99 0711 00 05</b>

### Security notices

The connector must not be connected or separated under load. Non-observance and incorrect use can result in personal injury.

The connectors are designed for use in plant, control system and electrical equipment. The end user is responsible for checking whether the connectors are suitable for use in other applications.

The end user must take suitable safety measures to ensure that the connector cannot be disconnected accidentally. Connectors with degree of protection IP 67 and IP 68 are not suitable for use under water. When used outdoors, the connectors must be separately protected against corrosion. For further information about IP degrees of protection refer to 'Technical support' in the Download Centre.