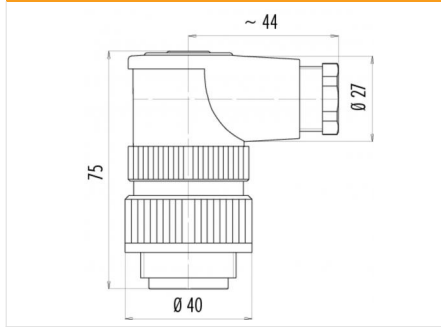


Product **RD30 male angled connector, Contacts: 4+PE, 10.0 - 12.0 mm, Shielding is not possible, screw clamp, IP65, ESTI+, VDE**  
 Area **RD30 series 694**  
 Article number **99 0709 70 05**

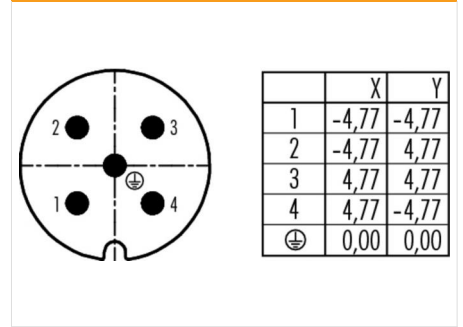
### Illustration



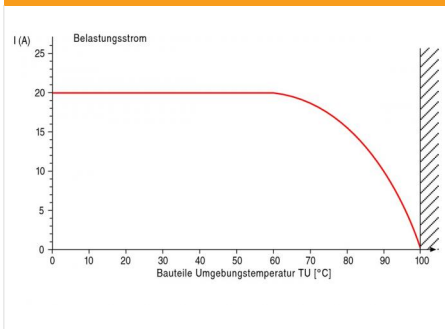
### Ritning



### Polbild



### Derating curve



You can find the assembly instruction on the next page.

## Technical data

### General features

Kontaktdesign	male angled connector
Kontaktionslösning	screw
Anslutning	screw clamp
Tvårsnitt (mm)	2.50 mm <sup>2</sup>
Tvårsnitt (AWG)	14
Kabeluttag	10.0 - 12.0 mm
Övre gränstemperatur	100 °C
Lågre gränstemperatur	- 40 °C
Customs tariff number	85369010

### Cable data

Godkännande 1	ESTI+
Godkännande 2	VDE

### Electrical parameters

Märkström (40°C)	20 A
Märkspänning	400 V
Märkstötspänning	6000 V
Föroreningsgrad	3
Överspanningskategori	III
Isoleringsmaterialgrupp	III
Resistans	≤ 5 mΩ
Insulation resistance	≥ 10 <sup>10</sup> Ω
EMV-behörighet	Shielding is not possible
Kapslingsklass	IP65
Mekanisk livslängd	> 500 Mating cycles

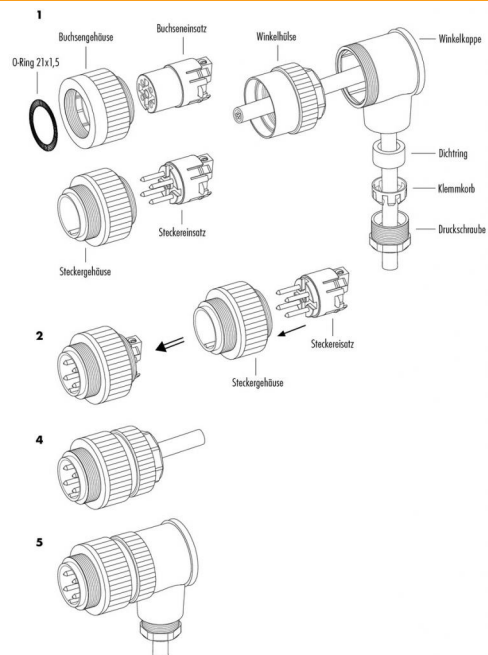
### Material

Kontaktmaterial	CuZn (brass)
Kontaktplätering	Ag (silver)
Kontaktkroppsmaterial	PA (UL 94 HB)
Kontaktusmaterial	PA

Product **RD30 male angled connector, Contacts: 4+PE, 10.0 - 12.0 mm, Shielding is not possible, screw clamp, IP65, ESTI+, VDE**  
 Area **RD30 series 694**  
 Article number **99 0709 70 05**

### Installationsinstruktioner / Monteringsutdrag

1. Winkelkoppe, Winkelhülse, Dichtung, Klemmkorb und Druckschraube auffädeln.
2. Kontakteinsatz in Gehäuse einclippen.
3. Leiter abmonteln, abisolieren und anschließen.
4. Winkelhülse mit vormontiertem Gehäuse bis zum mechanischen Anschlag fest verschrauben.
5. Teile gemäß Darstellung montieren.



Product	<b>RD30 male angled connector, Contacts: 4+PE, 10.0 - 12.0 mm, Shielding is not possible, screw clamp, IP65, ESTI+, VDE</b>
Area	<b>RD30 series 694</b>
Article number	<b>99 0709 70 05</b>

## Security notices

The connector must not be connected or separated under load. Non-observance and incorrect use can result in personal injury.

The connectors are designed for use in plant, control system and electrical equipment. The end user is responsible for checking whether the connectors are suitable for use in other applications.

To prevent the connector being opened unintentionally when used in electrical circuits containing hazardous life parts, the thread between the housing and the connector head must be secured using a suitable cyanoacrylate adhesive. This does not apply to connectors used in SELV and PELV circuits according to IEC 61140 (EN 61140, VDE 0140-1).

Connectors used in electrical circuits containing hazardous life parts must only be assembled and used by or under the supervision of persons with the requisite electrotechnical training, taking the applicable regulations and standards into account.

The end user must take suitable safety measures to ensure that the connector cannot be disconnected accidentally. Connectors with degree of protection IP 67 and IP 68 are not suitable for use under water. When used outdoors, the connectors must be separately protected against corrosion. For further information about IP degrees of protection refer to 'Technical support' in the Download Centre.

To lock the cable connector to the equipment connector, the threaded ring is tightened until it is 'finger-tight' (approx. 50 cNm).