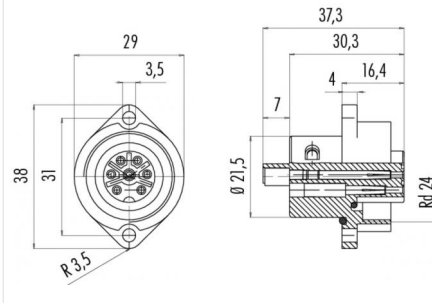


Product **RD24 female panel mount connector, Contacts: 6+PE, Shielding is not possible, screw clamp, IP67, UL, ESTI+, VDE**
 Area **RD24 series 693**
 Article number **09 4220 00 07**

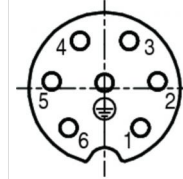
Illustration



Ritning

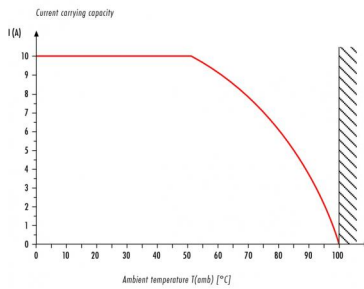


Polbild



	X	Y
1	3,25	-3,54
2	4,76	0,63
3	2,22	4,26
4	-2,22	4,26
5	-4,76	0,63
6	-3,25	-3,54
PE	0,00	0,50

Derating curve



You can find the assembly instruction on the next page.

Technical data

General features

Kontaktdesign	female panel mount connector
Kontaktionslösning	screw clamp
Anslutning	screw clamp
Tvärnsnitt (mm)	max. 1.50 mm ²
Tvärnsnitt (AWG)	max. 16
Övre gränstemperatur	100 °C
Lägre gränstemperatur	-40 °C
Customs tariff number	85369010

Cable data

Godkännande 1	UL
Godkännande 2	ESTI+
Godkännande 3	VDE

Electrical parameters

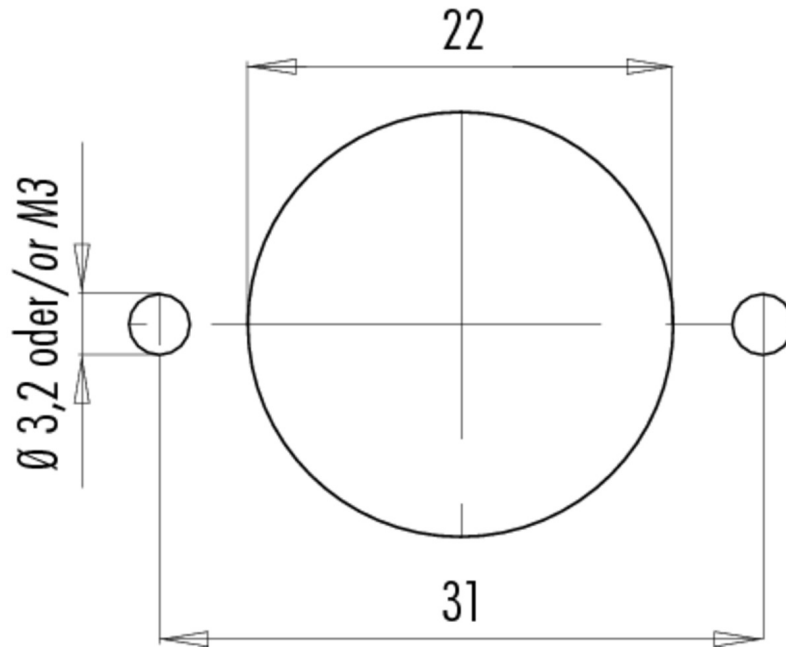
Märkström (40°C)	10 A (8 A UL)
Märkspänning	250 V
Märkstötspänning	4000 V
Föroreningsgrad	3
Överspanningskategori	III
Isoleringsmaterialgrupp	III
Resistans	≤ 5 mΩ
Insulation resistance	≥ 10 ¹⁰ Ω
EMV-behörighet	Shielding is not possible
Kapslingsklass	IP67
Mekanisk livslängd	> 500 Mating cycles

Material

Kontaktmaterial	CuSn (bronze)
Kontaktplätering	Ag (silver)
Kontaktropps-material	PBT

Product	RD24 female panel mount connector, Contacts: 6+PE, Shielding is not possible, screw clamp, IP67, UL, ESTI+, VDE
Area	RD24 series 693
Article number	09 4220 00 07

Installationsinstruktioner / Monteringsutdrag



Product	RD24 female panel mount connector, Contacts: 6+PE, Shielding is not possible, screw clamp, IP67, UL, ESTI+, VDE
Area	RD24 series 693
Article number	09 4220 00 07

Security notices

The connector must not be connected or separated under load. Non-observance and incorrect use can result in personal injury.

The connectors are designed for use in plant, control system and electrical equipment. The end user is responsible for checking whether the connectors are suitable for use in other applications.

Connectors with degree of protection IP 67 and IP 68 are not suitable for use under water. When used outdoors, the connectors must be separately protected against corrosion. For further information about IP degrees of protection refer to 'Technical support' in the Download Centre.