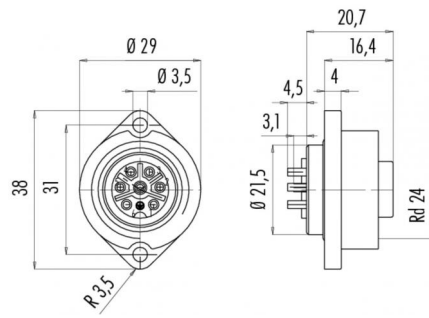


Product **RD24 female panel mount connector, Contacts: 6+PE, Shielding is not possible, solder, IP67, UL, ESTI+, VDE**  
 Area **RD24 series 693**  
 Article number **09 4228 00 07**

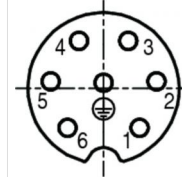
### Illustration



### Ritning

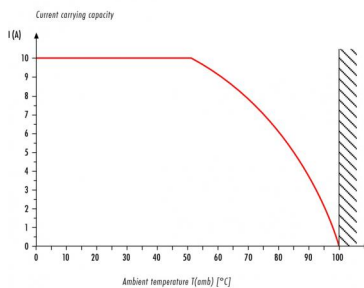


### Polbild



	X	Y
1	3,25	-3,54
2	4,76	0,63
3	2,22	4,26
4	-2,22	4,26
5	-4,76	0,63
6	-3,25	-3,54
PE	0,00	0,50

### Derating curve



You can find the assembly instruction on the next page.

## Technical data

### General features

Kontaktdesign	female panel mount connector
Kontaktionslösning	screw
Anslutning	solder
Tvärnsnitt (mm)	max. 0.75 mm <sup>2</sup>
Tvärnsnitt (AWG)	max. 19
Övre gränstemperatur	100 °C
Lägre gränstemperatur	-40 °C
Customs tariff number	85369010

### Cable data

Godkännande 1	UL
Godkännande 2	ESTI+
Godkännande 3	VDE

### Electrical parameters

Märkström (40°C)	10 A (8 A UL)
Märkspänning	250 V
Märkstötspänning	4000 V
Föroreningsgrad	3
Överspanningskategori	III
Isoleringsmaterialgrupp	III
Resistans	≤ 5 mΩ
Insulation resistance	≥ 10 <sup>10</sup> Ω
EMV-behörighet	Shielding is not possible
Kapslingsklass	IP67
Mekanisk livslängd	> 500 Mating cycles

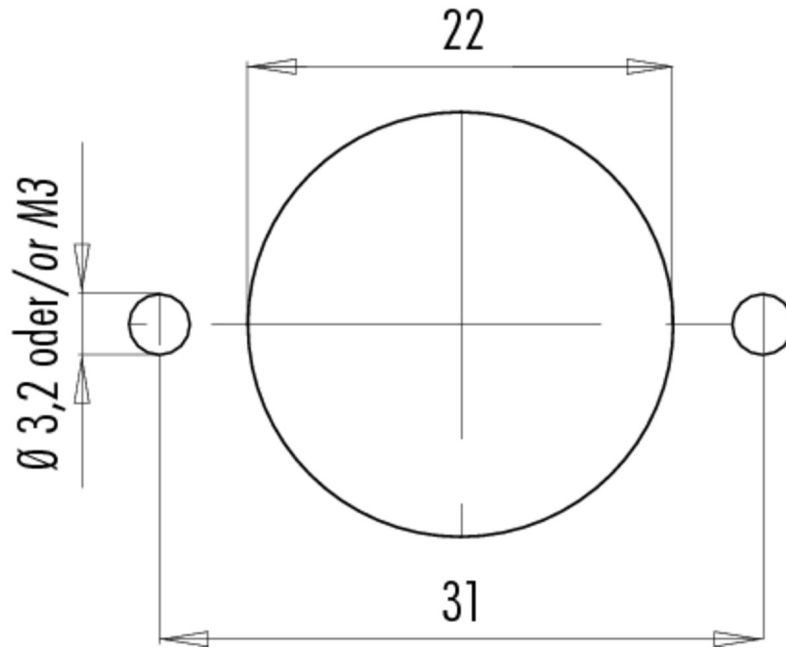
### Material

Kontaktmaterial	CuSn (bronze)
Kontaktplätering	Ag (silver)
Kontaktkroppsmaterial	PBT

Product **RD24 female panel mount connector, Contacts: 6+PE, Shielding is not possible, solder, IP67, UL, ESTI+, VDE**

Area **RD24 series 693**  
Article number **09 4228 00 07**

Installationsinstruktioner / Monteringsutdrag



Product	<b>RD24 female panel mount connector, Contacts: 6+PE, Shielding is not possible, solder, IP67, UL, ESTI+, VDE</b>
Area	<b>RD24 series 693</b>
Article number	<b>09 4228 00 07</b>

### Security notices

The connector must not be connected or separated under load. Non-observance and incorrect use can result in personal injury.

The connectors are designed for use in plant, control system and electrical equipment. The end user is responsible for checking whether the connectors are suitable for use in other applications.

Connectors with degree of protection IP 67 and IP 68 are not suitable for use under water. When used outdoors, the connectors must be separately protected against corrosion. For further information about IP degrees of protection refer to 'Technical support' in the Download Centre.