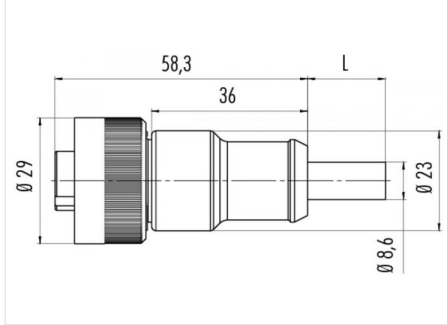


Product **RD24 female cable connector, Contacts: 3+PE, Shielding is not possible, moulded on cable, IP67, PVC black, 4 x 1.50 mm²**
 Area **RD24 series 692**
 Article number **79 0232 20 04**

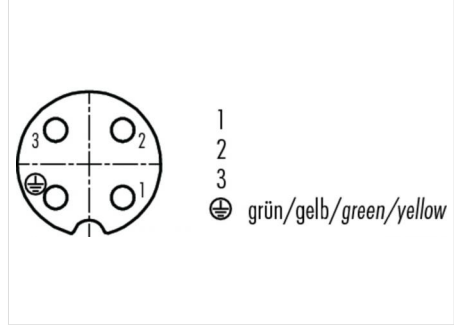
Illustration



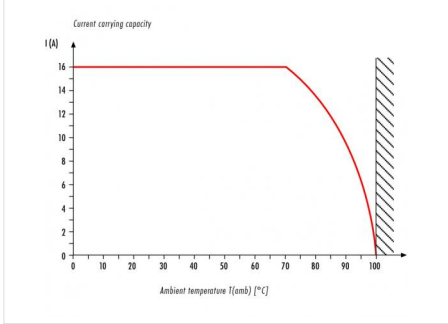
Ritning



Polbild



Derating curve



You can find the item description and assembly instruction on the next page.

Technical data

General features

Kontaktdesign	female cable connector
Kontaktionslösning	screw
Anslutning	moulded on cable
Tvårsnitt (mm)	1.50 mm ²
Tvårsnitt (AWG)	16
Övre gränstemperatur	80 °C
Lägre gränstemperatur	- 25 °C
Customs tariff number	85444290

Cable data

Kabellängd	2 m
Mantelmateriel	PVC
Isoleringsfläta	PVC sw 1, sw 2, sw 3, grün/gelb
Trädkonstruktion	28x0,25 mm
Ledarmotstånd	-
Fixerad böjningsradie kabel	120 mm
Rörlig böjningsradie kabel	60 mm

Electrical parameters

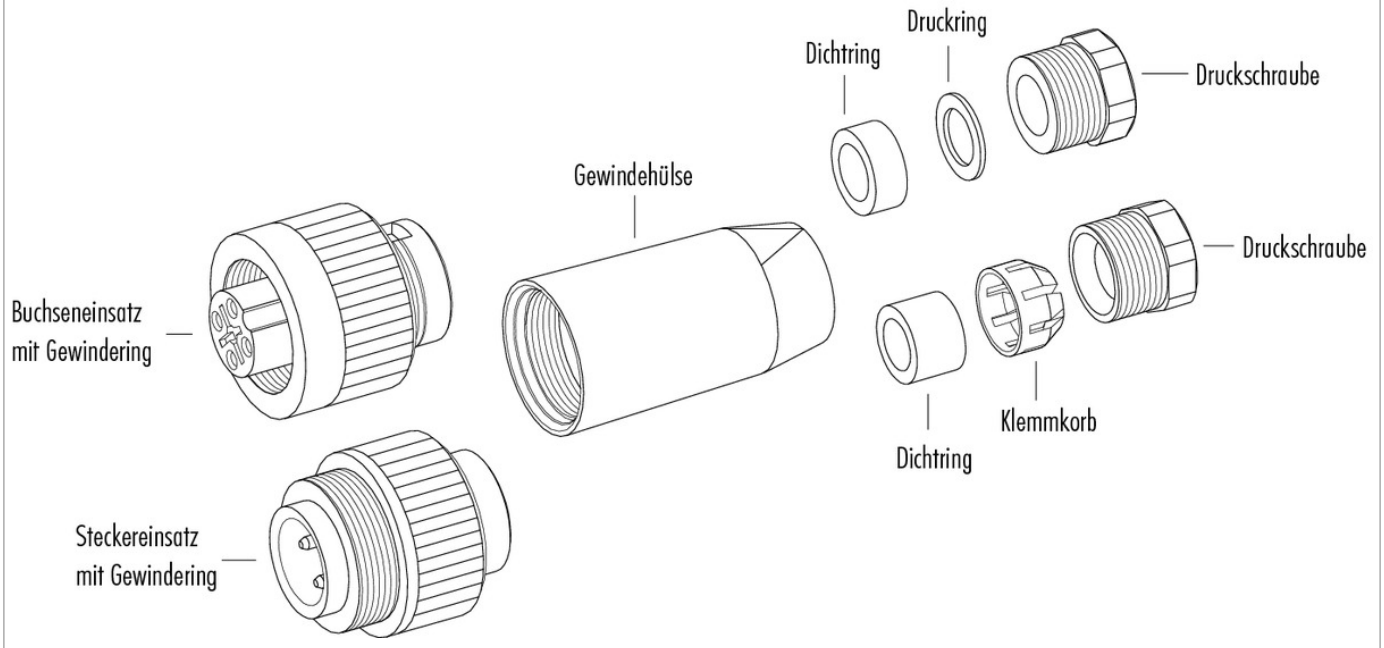
Märkström (40°C)	16 A
Märkspänning	400 V
Märkstötspänning	6000 V
Föroreningsgrad	3
Överspanningskategori	III
Isoleringsmaterialgrupp	III
Resistans	≤ 5 mΩ
Insulation resistance	≥ 10 ¹⁰ Ω
EMV-behörighet	Shielding is not possible
Kapslingsklass	IP67
Mekanisk livslängd	> 500 Mating cycles

Material

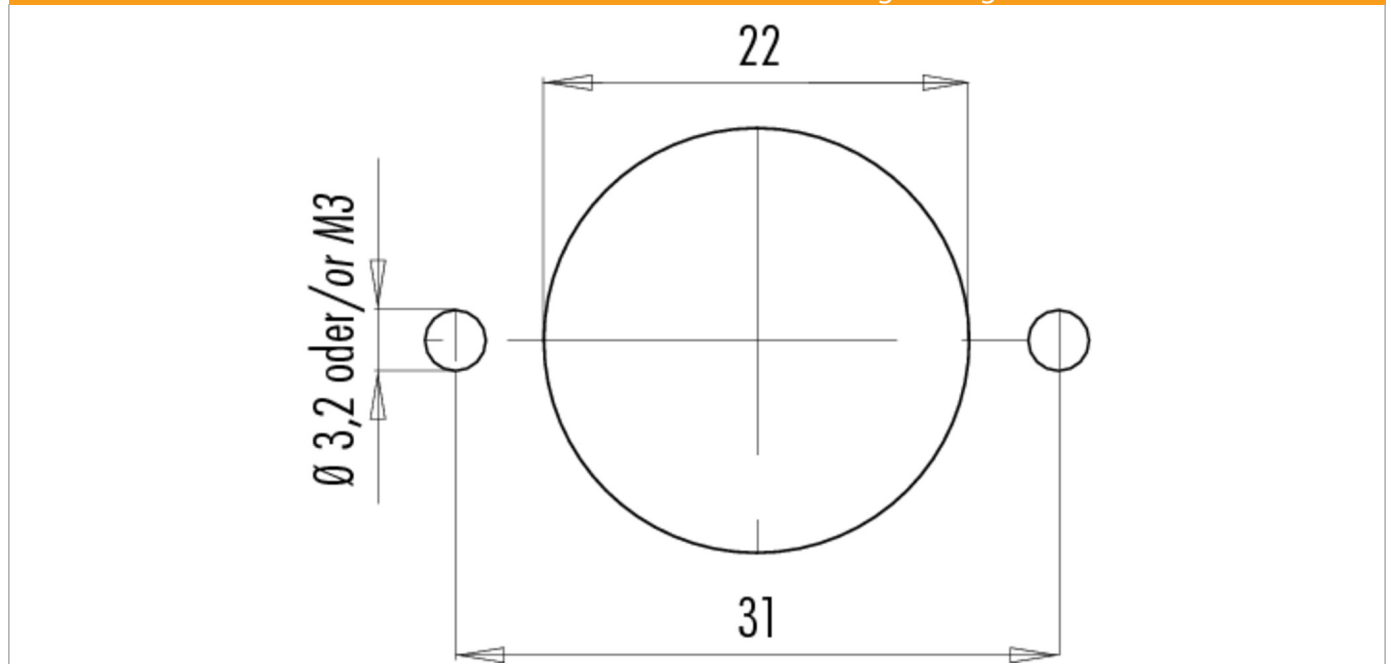
Kontaktmaterial	CuZn (brass)
Kontaktplätning	Ag (silver)
Kontaktkroppsmateriel	PA 12

Product	RD24 female cable connector, Contacts: 3+PE, Shielding is not possible, moulded on cable, IP67, PVC black, 4 x 1.50 mm ²
Area	RD24 series 692
Article number	79 0232 20 04

Sprängskiss



Installationsinstruktioner / Monteringsutdrag



Product	RD24 female cable connector, Contacts: 3+PE, Shielding is not possible, moulded on cable, IP67, PVC black, 4 x 1.50 mm²
Area	RD24 series 692
Article number	79 0232 20 04

Security notices

The connector must not be connected or separated under load. Non-observance and incorrect use can result in personal injury.

The connectors are designed for use in plant, control system and electrical equipment. The end user is responsible for checking whether the connectors are suitable for use in other applications.

Connectors with degree of protection IP 67 and IP 68 are not suitable for use under water. When used outdoors, the connectors must be separately protected against corrosion. For further information about IP degrees of protection refer to 'Technical support' in the Download Centre.

To lock the cable connector to the equipment connector, the threaded ring is tightened until it is 'finger-tight' (approx. 50 cNm).