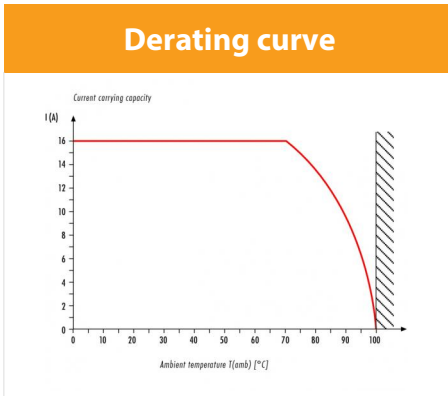
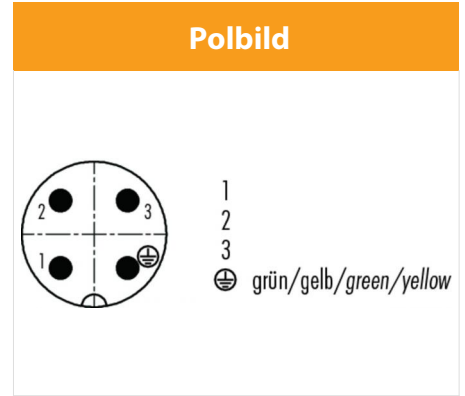
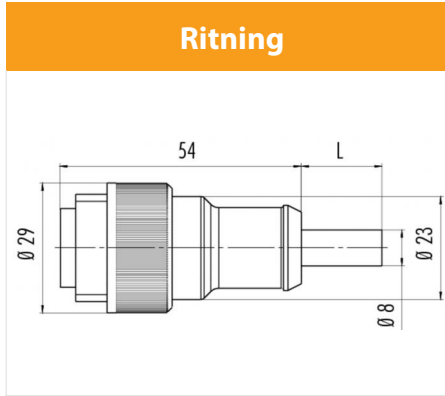


Product **RD24 cable connector, Contacts: 3+PE, Shielding is not possible, moulded on cable, IP67, PVC black, 4 x 1.50 mm<sup>2</sup>**  
 Area **RD24 series 692**  
 Article number **79 0231 20 04**



You can find the assembly instruction on the next page.

## Technical data

### General features

Kontaktdesign	cable connector
Kontaktionslösning	screw
Anslutning	moulded on cable
Tvärnsnitt (mm)	1.50 mm <sup>2</sup>
Tvärnsnitt (AWG)	16
Övre gränstemperatur	80 °C
Lägre gränstemperatur	- 25 °C
Customs tariff number	85444290

### Cable data

Kabellängd	2 m
Mantelmateriel	PVC
Isoleringsfläta	PVC sw 1, sw 2, sw 3, grün/gelb
Trädkonstruktion	28x0,25 mm
Ledarmotstånd	-
Fixerad böjningsradie kabel	120 mm
Rörlig böjningsradie kabel	60 mm

### Electrical parameters

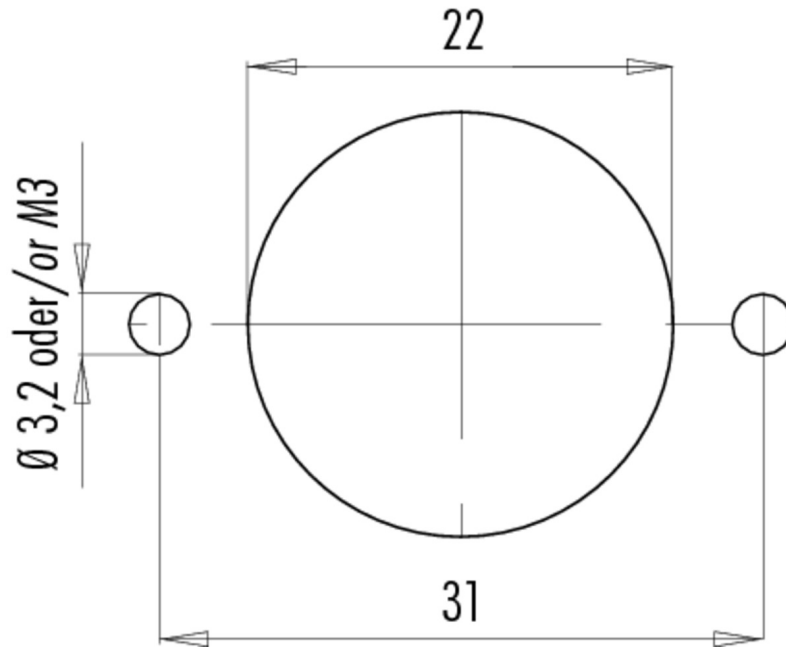
Märkström (40°C)	16 A
Märkspänning	400 V
Märkstötspänning	6000 V
Föroreningsgrad	3
Överspanningskategori	III
Isoleringsmaterialgrupp	III
Resistans	≤ 5 mΩ
Insulation resistance	≥ 10 <sup>10</sup> Ω
EMV-behörighet	Shielding is not possible
Kapslingsklass	IP67
Mekanisk livslängd	> 500 Mating cycles

### Material

Kontaktmaterial	CuZn (brass)
Kontaktplätering	Ag (silver)
Kontaktkroppsmateriel	PA 12

Product	RD24 cable connector, Contacts: 3+PE, Shielding is not possible, moulded on cable, IP67, PVC black, 4 x 1.50 mm <sup>2</sup>
Area	RD24 series 692
Article number	79 0231 20 04

Installationsinstruktioner / Monteringsutdrag



Product	<b>RD24 cable connector, Contacts: 3+PE, Shielding is not possible, moulded on cable, IP67, PVC black, 4 x 1.50 mm<sup>2</sup></b>
Area	<b>RD24 series 692</b>
Article number	<b>79 0231 20 04</b>

## Security notices

The connector must not be connected or separated under load. Non-observance and incorrect use can result in personal injury.

The connectors are designed for use in plant, control system and electrical equipment. The end user is responsible for checking whether the connectors are suitable for use in other applications.

To prevent the connector being opened unintentionally when used in electrical circuits containing hazardous life parts, the thread between the housing and the connector head must be secured using a suitable cyanoacrylate adhesive. This does not apply to connectors used in SELV and PELV circuits according to IEC 61140 (EN 61140, VDE 0140-1).

Connectors used in electrical circuits containing hazardous life parts must only be assembled and used by or under the supervision of persons with the requisite electrotechnical training, taking the applicable regulations and standards into account.

The end user must take suitable safety measures to ensure that the connector cannot be disconnected accidentally. Connectors with degree of protection IP 67 and IP 68 are not suitable for use under water. When used outdoors, the connectors must be separately protected against corrosion. For further information about IP degrees of protection refer to 'Technical support' in the Download Centre.

To lock the cable connector to the equipment connector, the threaded ring is tightened until it is 'finger-tight' (approx. 50 cNm).