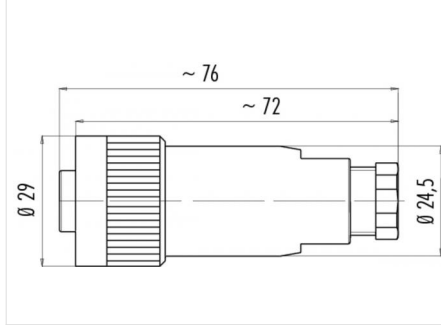


Product **RD24 female cable connector, Contacts: 3+PE, 6.0 - 9.5 mm, Shielding is not possible, screw clamp, IP67, UL, ESTI+, VDE, PG9**  
Area **RD24 series 693**  
Article number **99 4222 00 04**

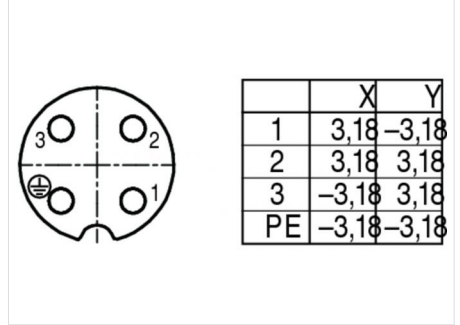
### Illustration



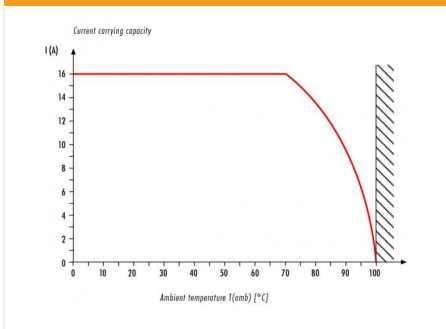
### Ritning



### Polbild



### Derating curve



**You can find the item description and assembly instruction on the next page.**

## Technical data

### General features

Kontaktdesign	female cable connector
Kontaktionslösning	screw
Anslutning	screw clamp
Tvårsnitt (mm)	max. 2.50 mm <sup>2</sup>
Tvårsnitt (AWG)	max. 14
Kabeluttag	6.0 - 9.5 mm
Övre gränstemperatur	100 °C
Lägre gränstemperatur	- 40 °C
Customs tariff number	85369010

### Cable data

Godkännande 1	UL
Godkännande 2	ESTI+
Godkännande 3	VDE

### Electrical parameters

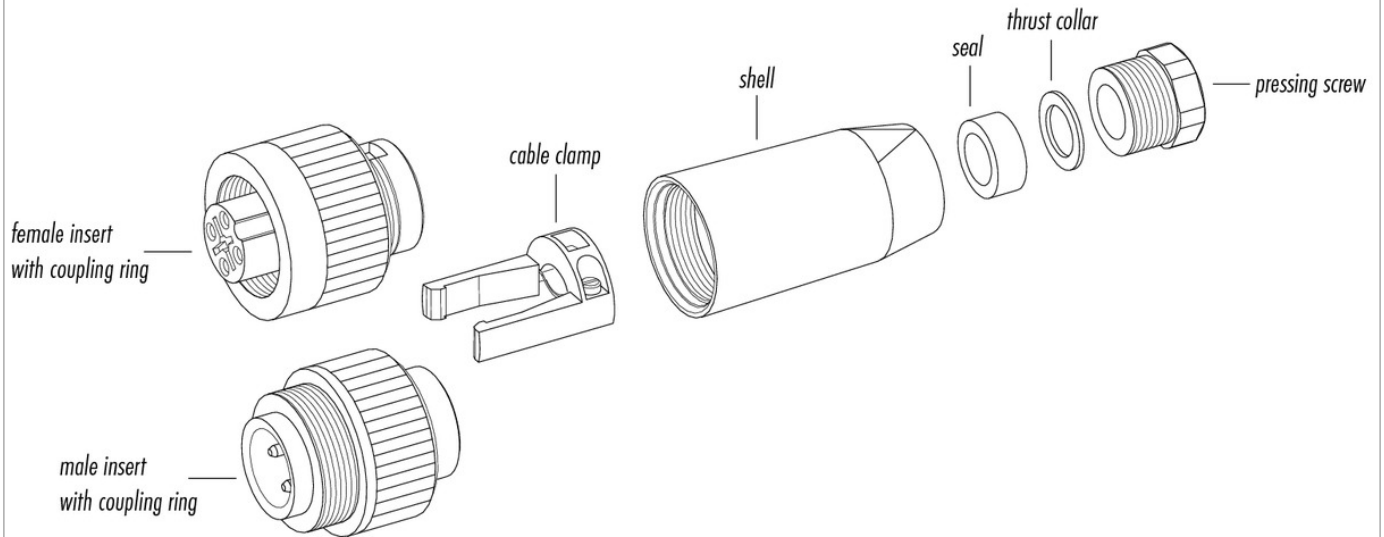
Märkström (40°C)	16 A (12 A UL)
Märkspänning	400 (UL 600 V) V
Märkspänning UL	600
Märkstötspänning	6000 V
Föroreningsgrad	3
Överspänningskategori	III
Isoleringsmaterialgrupp	III
Resistans	≤ 5 mΩ
Insulation resistance	≥ 10 <sup>10</sup> Ω
EMV-behörighet	Shielding is not possible
Kapslingsklass	IP67
	IP65 with cable diameter 6-7 mm
Kapslingsklass 2	IP65 with cable diameter 6-7 mm
Mekanisk livslängd	> 500 Mating cycles

### Material

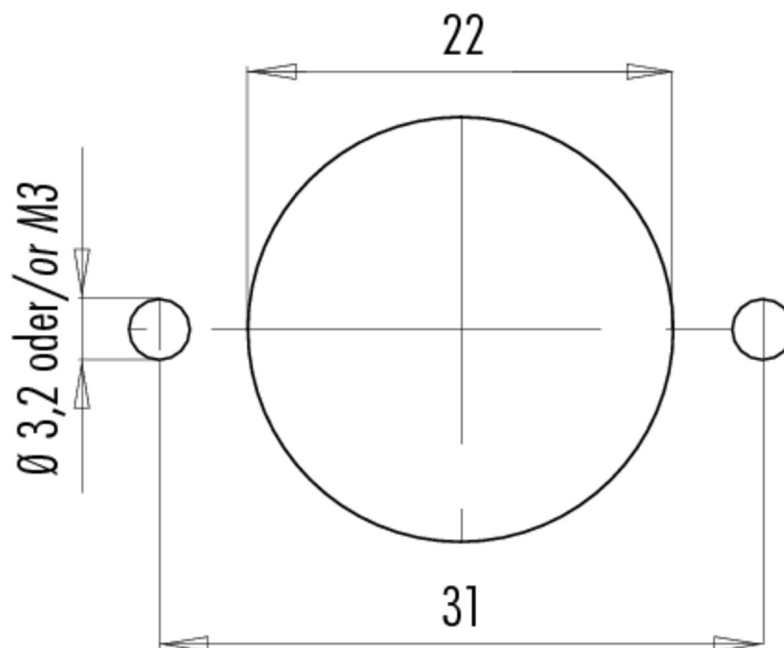
Kontaktmaterial	CuZn (brass)
Kontaktplätering	Ag (silver)
Kontaktkroppsmaterial	PBT (UL 94 V-0)

Product	RD24 female cable connector, Contacts: 3+PE, 6.0 - 9.5 mm, Shielding is not possible, screw clamp, IP67, UL, ESTI+, VDE, PG9
Area	RD24 series 693
Article number	99 4222 00 04

Sprängskiss



Installationsinstruktioner / Monteringsutdrag



Product	<b>RD24 female cable connector, Contacts: 3+PE, 6.0 - 9.5 mm, Shielding is not possible, screw clamp, IP67, UL, ESTI+, VDE, PG9</b>
Area	<b>RD24 series 693</b>
Article number	<b>99 4222 00 04</b>

### Security notices

The connector must not be connected or separated under load. Non-observance and incorrect use can result in personal injury.

The connectors are designed for use in plant, control system and electrical equipment. The end user is responsible for checking whether the connectors are suitable for use in other applications.

To prevent the connector being opened unintentionally when used in electrical circuits containing hazardous life parts, the thread between the housing and the connector head must be secured using a suitable cyanoacrylate adhesive. This does not apply to connectors used in SELV and PELV circuits according to IEC 61140 (EN 61140, VDE 0140-1).

Connectors used in electrical circuits containing hazardous life parts must only be assembled and used by or under the supervision of persons with the requisite electrotechnical training, taking the applicable regulations and standards into account.

The end user must take suitable safety measures to ensure that the connector cannot be disconnected accidentally. Connectors with degree of protection IP 67 and IP 68 are not suitable for use under water. When used outdoors, the connectors must be separately protected against corrosion. For further information about IP degrees of protection refer to 'Technical support' in the Download Centre.

To lock the cable connector to the equipment connector, the threaded ring is tightened until it is 'finger-tight' (approx. 50 cNm).