
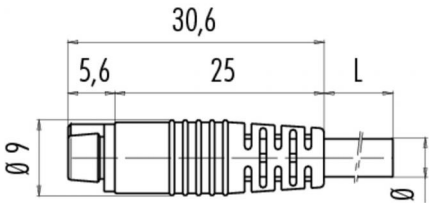



Product	Snap-In IP40 female cable connector, Contacts: 3, not shielded, moulded on cable, IP40, PVC black, 3 x 0.25 mm²
Area	Snap-In IP40 series 709
Article number	79 9002 15 03

Illustration	Ritning	Polbild						
		 <table border="0" style="margin-left: 20px;"> <tr> <td>1</td> <td>braun/brown</td> </tr> <tr> <td>2</td> <td>blau/blue</td> </tr> <tr> <td>3</td> <td>schwarz/black</td> </tr> </table>	1	braun/brown	2	blau/blue	3	schwarz/black
1	braun/brown							
2	blau/blue							
3	schwarz/black							

Technical data

General features

Kontaktdesign	female cable connector
Kontaktionslåsning	snap
Anslutning	moulded on cable
Tvårsnitt (mm)	0.25 mm ²
Tvårsnitt (AWG)	24
Övre gränstemperatur	70 °C
Lågre gränstemperatur	- 20 °C
Customs tariff number	85444290

Cable data

Kabellängd	5 m
Mantelmateriel	PVC
Isoleringsflåta	PVC
Trådkonstruktion	32 x 0,10 mm
Kabeldiameter	4.5 mm
Ledarmotstånd	80Ω/Km (20°C)
Fixerad böjningsradie kabel	22 mm
Rörlig böjningsradie kabel	45 mm

Electrical parameters

Märkström (40°C)	3 A
Märkspänning	60 V
Märkstötspänning	800 V
Föroreningsgrad	1
Överspänningskategori	II
Isolermaterielgrupp	III
Resistans	≤ 3 mΩ
Insulation resistance	≥ 10 ¹⁰ Ω
EMV-behörighet	not shielded
Kapslingsklass	IP40
Mekanisk livslängd	> 100 Mating cycles

Material

Kontaktmateriel	CuSn (bronze)
Kontaktplåtering	Au (gold)
Kontaktroppsmateriel	PA
Kontaktthusmateriel	PUR

Product	Snap-In IP40 female cable connector, Contacts: 3, not shielded, moulded on cable, IP40, PVC black, 3 x 0.25 mm²
Area	Snap-In IP40 series 709
Article number	79 9002 15 03

Security notices

The connectors are designed for use in plant, control system and electrical equipment. The end user is responsible for checking whether the connectors are suitable for use in other applications.