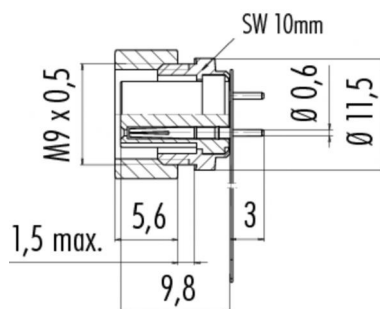


Product **M9 IP40 female panel mount connector, Contacts: 7, Shielding is not possible, dip-solder, IP40**
 Area **M9 IP40 series 711**
 Article number **09 0478 65 07**

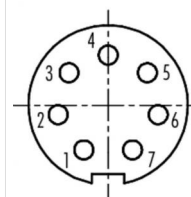
Illustration



Ritning



Polbild



| | X | Y |
|---|-------|-------|
| 1 | 0,90 | -1,65 |
| 2 | 1,85 | -0,35 |
| 3 | 1,45 | 1,20 |
| 4 | 0,00 | 1,85 |
| 5 | -1,45 | 1,20 |
| 6 | -1,85 | -0,35 |
| 7 | -0,90 | -1,65 |

You can find the assembly instruction on the next page.

Technical data

General features

Kontaktdesign female panel mount connector
 Kontaktdonslösning screw
 Anslutning dip-solder
 Övre gränstemperatur 85 °C
 Lägre gränstemperatur -40 °C
 Customs tariff number 85369010

Electrical parameters

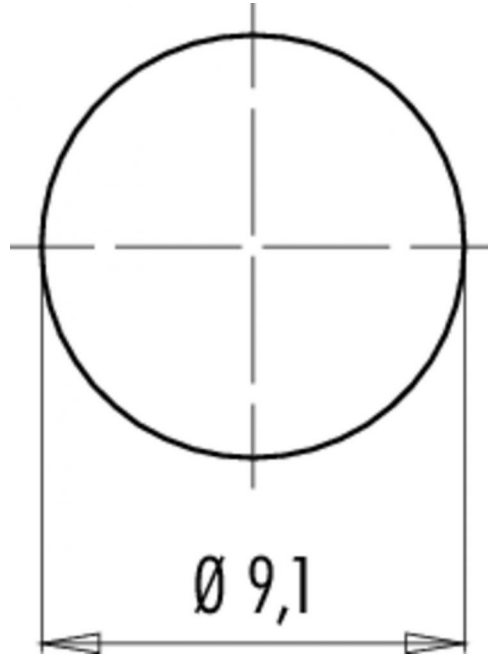
Märkström (40°C) 1 A
 Märkspänning 125 V
 Märkstötspänning 1500 V
 Föroreningsgrad 1
 Överspänningskategori II
 Isoleringsmaterialgrupp III
 Resistans ≤ 3 mΩ
 Insulation resistance ≥ 10¹⁰ Ω
 EMV-behörighet Shielding is not possible
 Kapslingsklass IP40
 Mekanisk livslängd > 500 Mating cycles

Material

Kontaktmaterial CuSn (brons)
 Kontaktplätering Au (gold)
 Kontaktkroppsmaterial PA (UL 94 V-0)

| | |
|----------------|---|
| Product | M9 IP40 female panel mount connector, Contacts: 7, Shielding is not possible, dip-solder, IP40 |
| Area | M9 IP40 series 711 |
| Article number | 09 0478 65 07 |

Installationsinstruktioner / Monteringsutdrag



| | |
|----------------|---|
| Product | M9 IP40 female panel mount connector, Contacts: 7, Shielding is not possible, dip-solder, IP40 |
| Area | M9 IP40 series 711 |
| Article number | 09 0478 65 07 |

Security notices

The connector must not be connected or separated under load. Non-observance and incorrect use can result in personal injury.

The connectors are designed for use in plant, control system and electrical equipment. The end user is responsible for checking whether the connectors are suitable for use in other applications.