

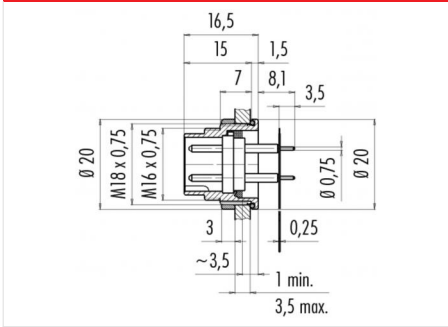
Product **M16 IP67 male panel mount connector, Contacts: 7, Shielding is not possible, dip-solder, IP67**

Area **M16 IP67 series 723**
 Article number **09 0127 65 07**

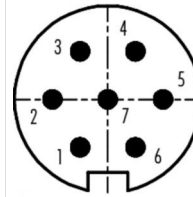
Illustration



Ritning



Polbild



	X	Y
1	-1,75	-3,03
2	-3,50	0,00
3	-1,75	3,03
4	1,75	3,03
5	3,50	0,00
6	1,75	-3,03
7	0,00	0,00

You can find the assembly instruction on the next page.

Technical data

General features

Kontaktdesign	male panel mount connector
Kontaktionslåsning	screw
Anslutning	dip-solder
Övre gränstemperatur	95 °C
Lägre gränstemperatur	- 40 °C
Customs tariff number	85369010

Electrical parameters

Märkström (40°C)	5 A
Märkspänning	125 V
Märkstötspänning	800 V
Föroreningsgrad	1
Överspanningskategori	I
Isoleringsmaterialgrupp	III
Resistans	≤ 5 mΩ
Insulation resistance	≥ 10 ¹⁰ Ω
EMV-behörighet	Shielding is not possible
Kapslingsklass	IP67
Mekanisk livslängd	> 500 Mating cycles

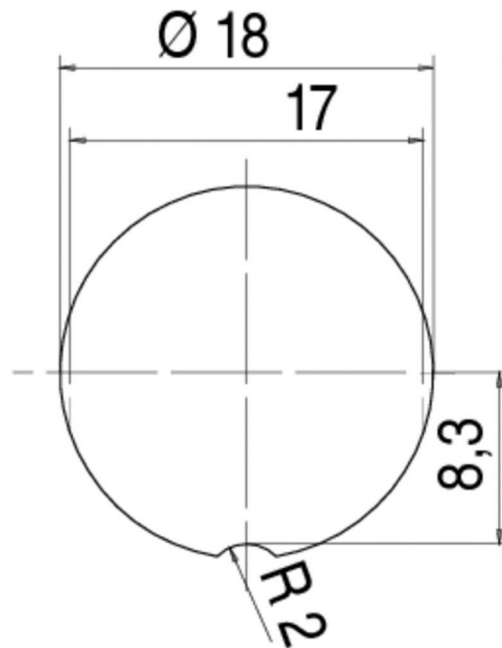
Material

Kontaktmaterial	CuZn (brass)
Kontaktplätning	Ag (silver)
Kontaktkroppsmaterial	PBT (UL 94 V-0)
Kontaktusmaterial	Zinc die-cast nickel-plated

Product **M16 IP67 male panel mount connector, Contacts: 7, Shielding is not possible, dip-solder, IP67**

Area **M16 IP67 series 723**
Article number **09 0127 65 07**

Installationsinstruktioner / Monteringsutdrag



Product	M16 IP67 male panel mount connector, Contacts: 7, Shielding is not possible, dip-solder, IP67
Area	M16 IP67 series 723
Article number	09 0127 65 07

Security notices

The connector must not be connected or separated under load. Non-observance and incorrect use can result in personal injury.

The connectors are designed for use in plant, control system and electrical equipment. The end user is responsible for checking whether the connectors are suitable for use in other applications.

Connectors with degree of protection IP 67 and IP 68 are not suitable for use under water. When used outdoors, the connectors must be separately protected against corrosion. For further information about IP degrees of protection refer to 'Technical support' in the Download Centre.