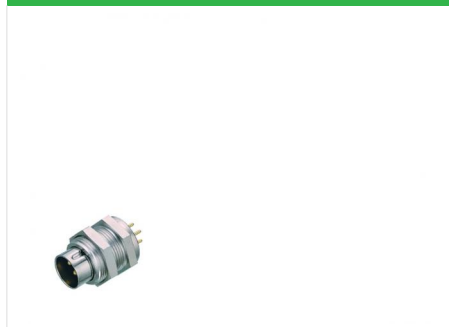
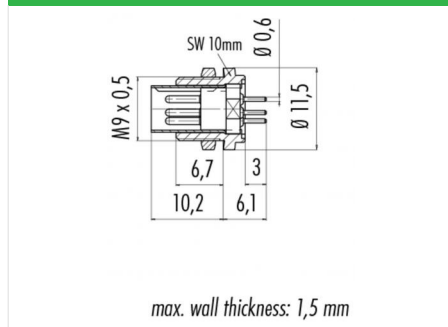


Product **M9 IP40 male panel mount connector, Contacts: 2, Shielding is not possible, dip-solder, IP40**  
 Area **M9 IP40 series 711**  
 Article number **09 0073 20 02**

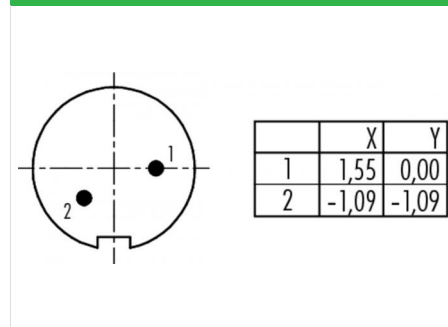
### Illustration



### Ritning



### Polbild



You can find the assembly instruction on the next page.

## Technical data

### General features

Kontaktdesign male panel mount connector  
 Kontaktdonslösning screw  
 Anslutning dip-solder  
 Övre gränstemperatur 85 °C  
 Lägre gränstemperatur -40 °C  
 Customs tariff number 85369010

### Electrical parameters

Märkström (40°C) 4 A  
 Märkspänning 125 V  
 Märkstötspänning 1500 V  
 Föroreningsgrad 1  
 Överspänningskategori II  
 Isoleringsmaterialgrupp III  
 Resistans ≤ 3 mΩ  
 Insulation resistance ≥ 10<sup>10</sup> Ω  
 EMV-behörighet Shielding is not possible  
 Kapslingsklass IP40  
 Mekanisk livslängd > 500 Mating cycles

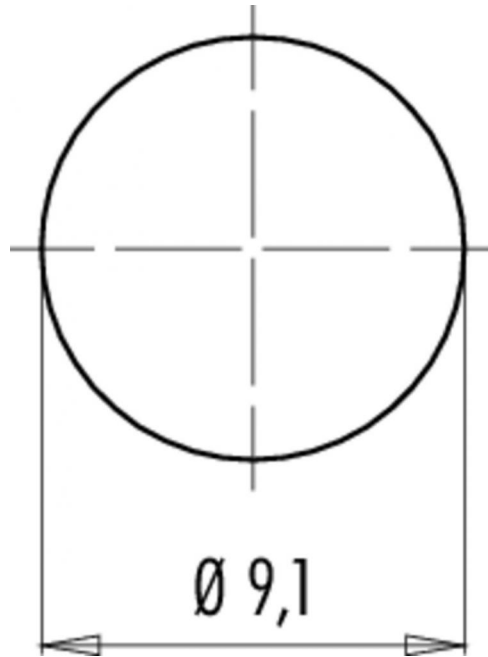
### Material

Kontaktmaterial CuZn (brass)  
 Kontaktplätering Au (gold)  
 Kontaktkroppsmaterial PA (UL 94 V-0)

Product **M9 IP40 male panel mount connector, Contacts: 2, Shielding is not possible, dip-solder, IP40**

Area **M9 IP40 series 711**  
Article number **09 0073 20 02**

Installationsinstruktioner / Monteringsutdrag



Product	<b>M9 IP40 male panel mount connector, Contacts: 2, Shielding is not possible, dip-solder, IP40</b>
Area	<b>M9 IP40 series 711</b>
Article number	<b>09 0073 20 02</b>

### Security notices

The connector must not be connected or separated under load. Non-observance and incorrect use can result in personal injury.

The connectors are designed for use in plant, control system and electrical equipment. The end user is responsible for checking whether the connectors are suitable for use in other applications.