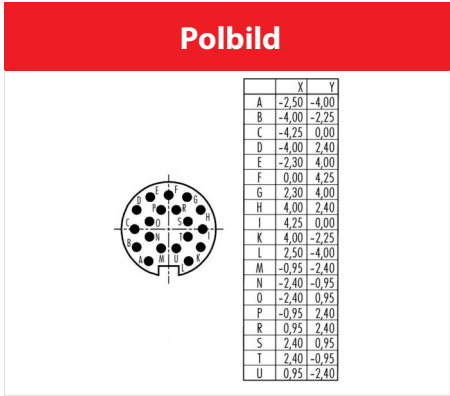
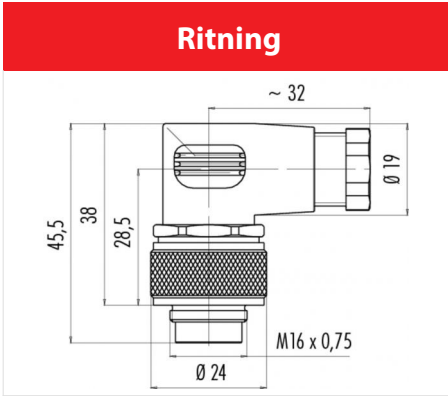


Product **M16 IP67 male angled connector, Contacts: 19, 6.0 - 8.0 mm, Shielding is not possible, solder, IP67**
 Area **M16 IP67 series 723**
 Article number **99 0461 75 19**



You can find the item description on the next page.

Technical data

General features

| | |
|-----------------------|-----------------------|
| Kontaktdesign | male angled connector |
| Kontaktionslåsning | screw |
| Anslutning | solder |
| Tvärsnitt (mm) | 0.25 mm ² |
| Tvärsnitt (AWG) | 24 |
| Kabeluttag | 6.0 - 8.0 mm |
| Övre gränstemperatur | 95 °C |
| Lägre gränstemperatur | -40 °C |
| Customs tariff number | 85369010 |

Electrical parameters

| | |
|-------------------------|---------------------------|
| Märkström (40°C) | 3 A |
| Märkspänning | 60 V |
| Märkstötspänning | 500 V |
| Föroreningsgrad | 1 |
| Överspanningskategori | I |
| Isoleringsmaterialgrupp | III |
| Resistans | ≤ 3 mΩ |
| Insulation resistance | ≥ 10 ¹⁰ Ω |
| EMV-behörighet | Shielding is not possible |
| Kapslingsklass | IP67 |
| Mekanisk livslängd | > 500 Mating cycles |

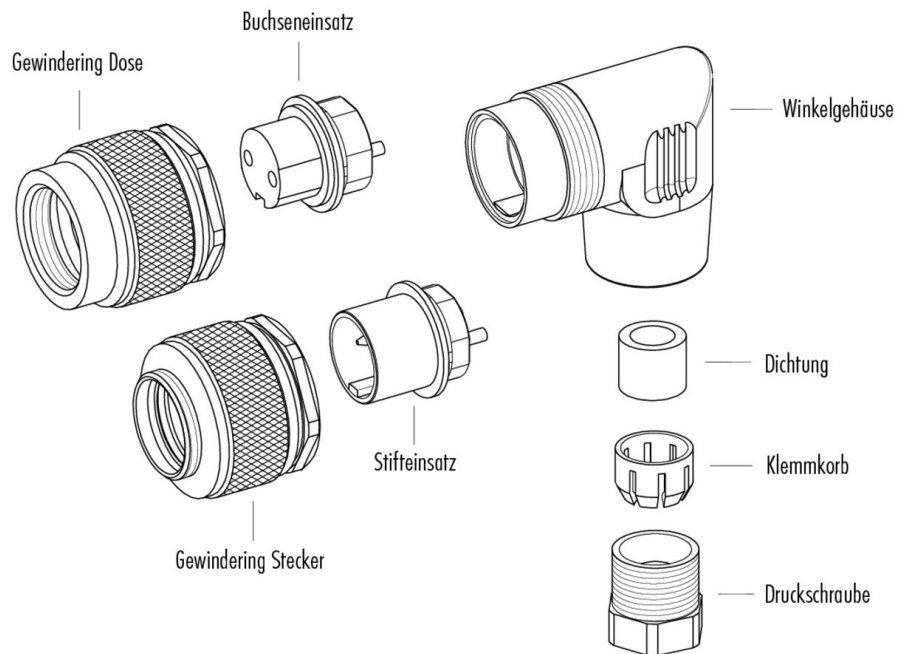
Material

| | |
|-----------------------|-----------------|
| Kontaktmaterial | CuZn (brass) |
| Kontaktplätering | Au (gold) |
| Kontaktkroppsmaterial | PBT (UL 94 V-0) |
| Kontaktmaterial | PA |

Product **M16 IP67 male angled connector, Contacts: 19, 6.0 - 8.0 mm, Shielding is not possible, solder, IP67**

Area **M16 IP67 series 723**
Article number **99 0461 75 19**

Sprängskiss



| | |
|----------------|--|
| Product | M16 IP67 male angled connector, Contacts: 19, 6.0 - 8.0 mm, Shielding is not possible, solder, IP67 |
| Area | M16 IP67 series 723 |
| Article number | 99 0461 75 19 |

Security notices

The connectors are designed for use in plant, control system and electrical equipment. The end user is responsible for checking whether the connectors are suitable for use in other applications.

Connectors with degree of protection IP 67 and IP 68 are not suitable for use under water. When used outdoors, the connectors must be separately protected against corrosion. For further information about IP degrees of protection refer to 'Technical support' in the Download Centre.

To lock the cable connector to the equipment connector, the threaded ring is tightened until it is 'finger-tight' (approx. 50 cNm).