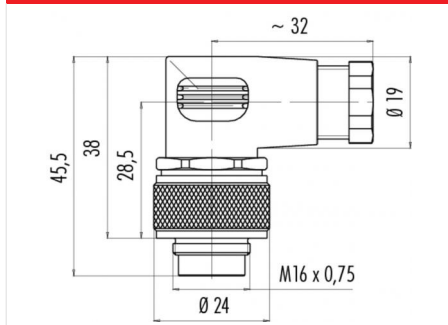


Product **M16 IP67 male angled connector, Contacts: 12, 6.0 - 8.0 mm, Shielding is not possible, solder, IP67**
 Area **M16 IP67 series 723**
 Article number **99 0129 75 12**

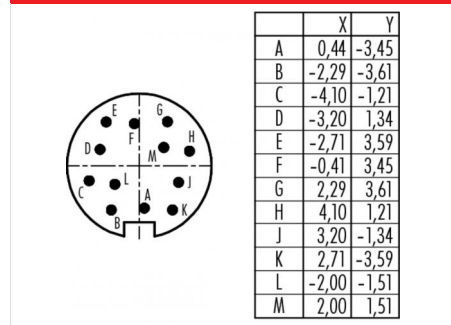
Illustration



Ritning



Polbild



You can find the item description on the next page.

Technical data

General features

Kontaktdesign male angled connector
 Kontaktdonslåsning screw
 Anslutning solder
 Tvärsnitt (mm) 0.25 mm²
 Tvärsnitt (AWG) 24
 Kabeluttag 6.0 - 8.0 mm
 Övre gränstemperatur 95 °C
 Lägre gränstemperatur -40 °C
 Customs tariff number 85369010

Electrical parameters

Märkström (40°C) 3 A
 Märkspänning 60 V
 Märkstötsspänning 500 V
 Föroreningsgrad 1
 Överspänningskategori I
 Isoleringsmaterialgrupp III
 Resistans ≤ 3 mΩ
 Insulation resistance ≥ 10¹⁰ Ω
 EMV-behörighet Shielding is not possible
 Kapslingsklass IP67
 Mekanisk livslängd > 500 Mating cycles

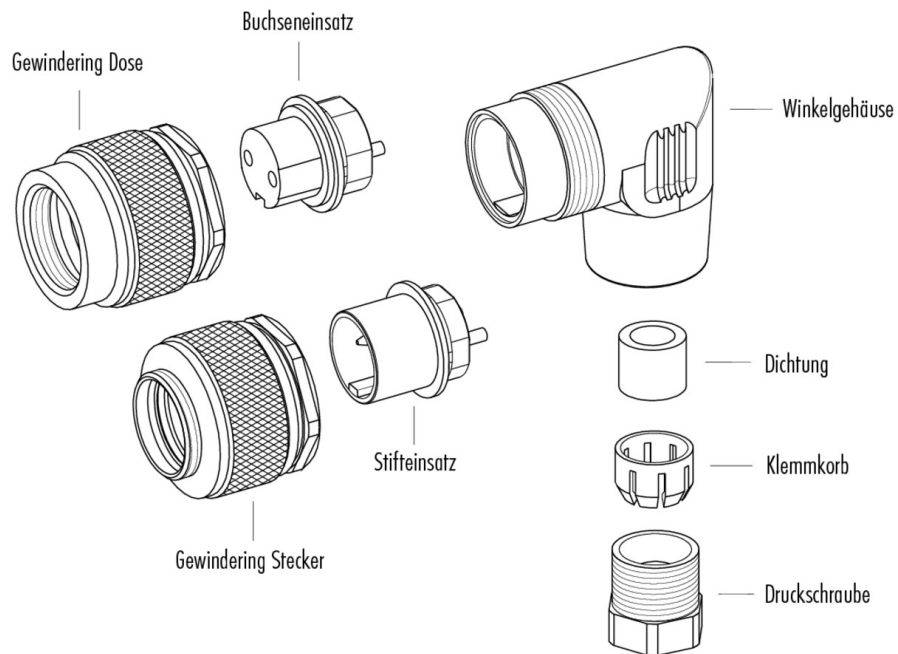
Material

Kontaktmaterial CuZn (brass)
 Kontaktplätering Au (gold)
 Kontaktkroppsmaterial PBT (UL 94 V-0)
 Kontakthusmaterial PA

Product **M16 IP67 male angled connector, Contacts: 12, 6.0 - 8.0 mm, Shielding is not possible, solder, IP67**

Area **M16 IP67 series 723**
Article number **99 0129 75 12**

Sprängskiss



Product	M16 IP67 male angled connector, Contacts: 12, 6.0 - 8.0 mm, Shielding is not possible, solder, IP67
Area	M16 IP67 series 723
Article number	99 0129 75 12

Security notices

The connectors are designed for use in plant, control system and electrical equipment. The end user is responsible for checking whether the connectors are suitable for use in other applications.

Connectors with degree of protection IP 67 and IP 68 are not suitable for use under water. When used outdoors, the connectors must be separately protected against corrosion. For further information about IP degrees of protection refer to 'Technical support' in the Download Centre.

To lock the cable connector to the equipment connector, the threaded ring is tightened until it is 'finger-tight' (approx. 50 cNm).