

Product **M16 IP67 male angled connector, Contacts: 4, 6.0 - 8.0 mm, Shielding is not possible, solder, IP67**

Area **M16 IP67 series 723**
 Article number **99 0109 77 04**

Illustration	Ritning	Polbild															
		<table border="1" style="margin-left: 20px;"> <thead> <tr> <th></th> <th>X</th> <th>Y</th> </tr> </thead> <tbody> <tr> <td>1</td> <td>3,32</td> <td>-1,08</td> </tr> <tr> <td>2</td> <td>2,05</td> <td>2,83</td> </tr> <tr> <td>3</td> <td>-2,05</td> <td>2,83</td> </tr> <tr> <td>4</td> <td>-3,32</td> <td>-1,08</td> </tr> </tbody> </table>		X	Y	1	3,32	-1,08	2	2,05	2,83	3	-2,05	2,83	4	-3,32	-1,08
	X	Y															
1	3,32	-1,08															
2	2,05	2,83															
3	-2,05	2,83															
4	-3,32	-1,08															

You can find the item description on the next page.

Technical data

General features

Kontaktdesign	male angled connector
Kontaktionslåsning	screw
Anslutning	solder
Tvärsnitt (mm)	0.75 mm ²
Tvärsnitt (AWG)	18
Kabeluttag	6.0 - 8.0 mm
Övre gränstemperatur	95 °C
Lägre gränstemperatur	-40 °C
Customs tariff number	85369010

Electrical parameters

Märkström (40°C)	6 A
Märkspänning	250 V
Märkstötspänning	1500 V
Föroreningsgrad	1
Överspänningskategori	I
Isoleringsmaterialgrupp	III
Resistans	≤ 3 mΩ
Insulation resistance	≥ 10 ¹⁰ Ω
EMV-behörighet	Shielding is not possible
Kapslingsklass	IP67
Mekanisk livslängd	> 500 Mating cycles

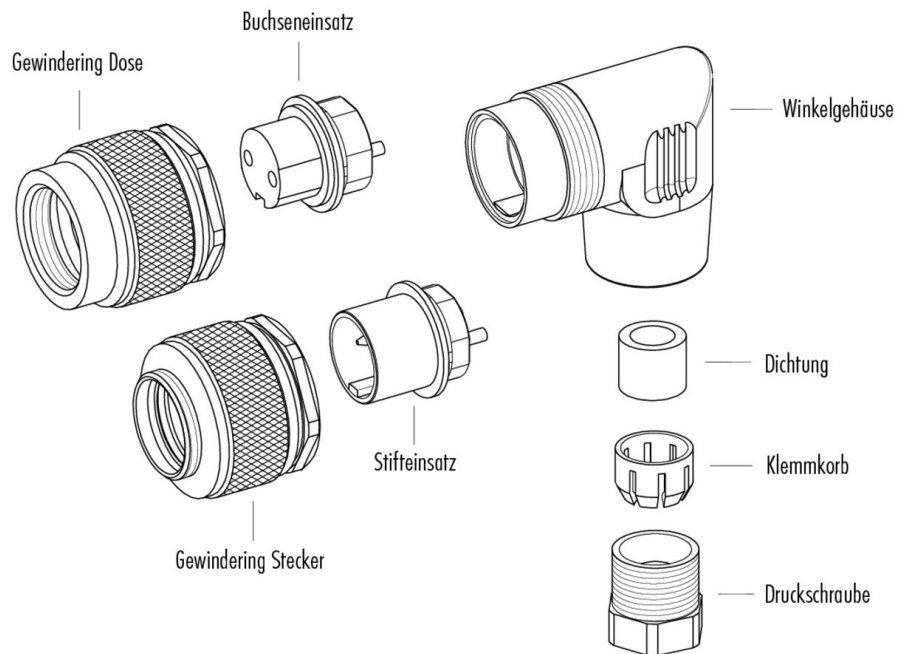
Material

Kontaktmaterial	CuZn (brass)
Kontaktplätering	Au (gold)
Kontaktroppsmaterial	PBT (UL 94 V-0)
Kontaktthusmaterial	PA

Product **M16 IP67 male angled connector, Contacts: 4, 6.0 - 8.0 mm, Shielding is not possible, solder, IP67**

Area **M16 IP67 series 723**
Article number **99 0109 77 04**

Sprängskiss



Product	M16 IP67 male angled connector, Contacts: 4, 6.0 - 8.0 mm, Shielding is not possible, solder, IP67
Area	M16 IP67 series 723
Article number	99 0109 77 04

Security notices

The connector must not be connected or separated under load. Non-observance and incorrect use can result in personal injury.

The connectors are designed for use in plant, control system and electrical equipment. The end user is responsible for checking whether the connectors are suitable for use in other applications.

Connectors used in electrical circuits containing hazardous life parts must only be assembled and used by or under the supervision of persons with the requisite electrotechnical training, taking the applicable regulations and standards into account.

Connectors with degree of protection IP 67 and IP 68 are not suitable for use under water. When used outdoors, the connectors must be separately protected against corrosion. For further information about IP degrees of protection refer to 'Technical support' in the Download Centre.

The connector is not suitable for mains voltages. Please observe the pollution degrees and the overvoltage category. For further information refer to 'Technical support' in the Download Centre.

To lock the cable connector to the equipment connector, the threaded ring is tightened until it is 'finger-tight' (approx. 50 cNm).