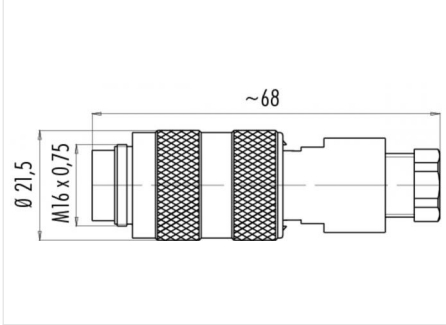


Product	<b>M16 IP67 cable connector, Contacts: 6 DIN, 4.0 - 6.0 mm, Shielding is not possible, solder, IP67</b>
Area	<b>M16 IP67 series 723</b>
Article number	<b>09 0121 19 06</b>

**Illustration**



**Ritning**



**Polbild**

	X	Y
1	3,03	-1,75
2	3,03	1,75
3	0,00	3,50
4	-3,03	1,75
5	-3,03	-1,75
6	0,00	0,00

You can find the item description on the next page.

**Technical data**

**General features**

Kontaktdesign	cable connector
Kontaktionslåsning	screw
Anslutning	solder
Tvärsnitt (mm)	0.75 mm <sup>2</sup>
Tvärsnitt (AWG)	18
Kabeluttag	4.0 - 6.0 mm
Övre gränstemperatur	95 °C
Lägre gränstemperatur	-40 °C
Customs tariff number	85369010

**Electrical parameters**

Märkström (40°C)	5 A
Märkspänning	250 V
Märkstötspänning	1500 V
Föroreningsgrad	1
Överspänningskategori	I
Isoleringsmaterialgrupp	III
Resistans	≤ 3 mΩ
Insulation resistance	≥ 10 <sup>10</sup> Ω
EMV-behörighet	Shielding is not possible
Kapslingsklass	IP67
Mekanisk livslängd	> 500 Mating cycles

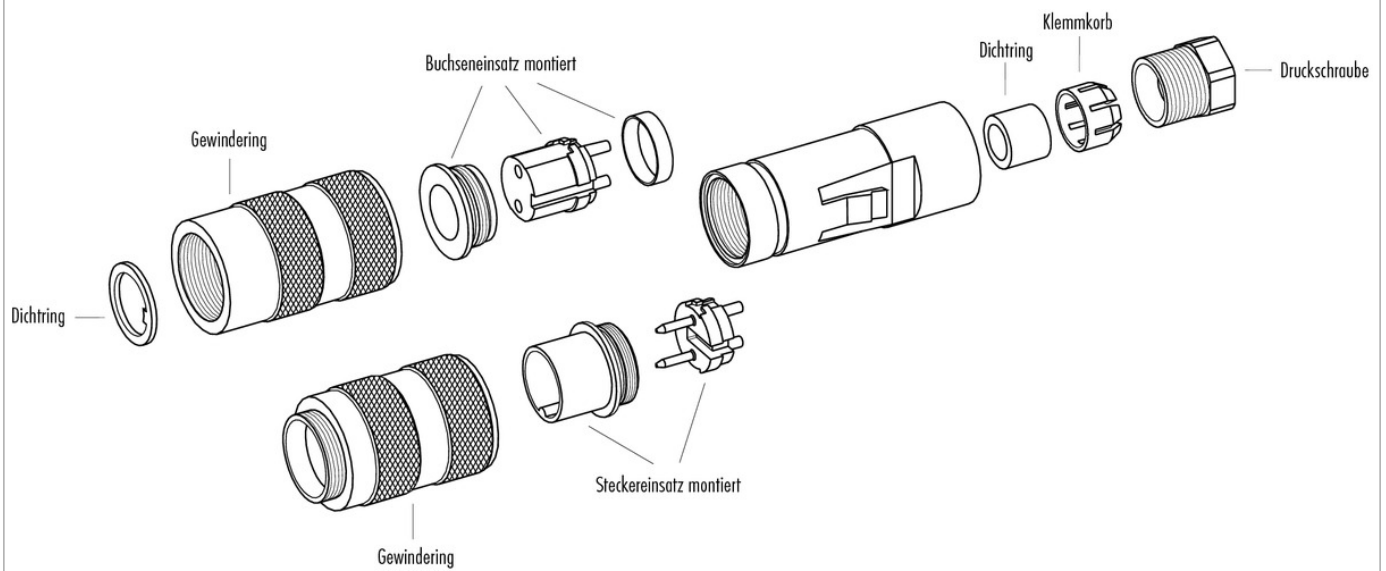
**Material**

Kontaktmaterial	CuZn (brass)
Kontaktplätning	Au (gold)
Kontaktkroppsmaterial	PBT (UL 94 V-0)
Kontaktusmaterial	PA

Product **M16 IP67 cable connector, Contacts: 6 DIN, 4.0 - 6.0 mm, Shielding is not possible, solder, IP67**

Area **M16 IP67 series 723**  
Article number **09 0121 19 06**

### Sprängskiss



Product	<b>M16 IP67 cable connector, Contacts: 6 DIN, 4.0 - 6.0 mm, Shielding is not possible, solder, IP67</b>
Area	<b>M16 IP67 series 723</b>
Article number	<b>09 0121 19 06</b>

## Security notices

The connector must not be connected or separated under load. Non-observance and incorrect use can result in personal injury.

The connectors are designed for use in plant, control system and electrical equipment. The end user is responsible for checking whether the connectors are suitable for use in other applications.

Connectors used in electrical circuits containing hazardous life parts must only be assembled and used by or under the supervision of persons with the requisite electrotechnical training, taking the applicable regulations and standards into account.

Connectors with degree of protection IP 67 and IP 68 are not suitable for use under water. When used outdoors, the connectors must be separately protected against corrosion. For further information about IP degrees of protection refer to 'Technical support' in the Download Centre.

The connector is not suitable for mains voltages. Please observe the pollution degrees and the overvoltage category. For further information refer to 'Technical support' in the Download Centre.

To lock the cable connector to the equipment connector, the threaded ring is tightened until it is 'finger-tight' (approx. 50 cNm).